

INSTALLATION INSTRUCTIONS

UNLESS OTHERWISE STATED, ALL DIMENSIONS ARE IN MILLIMETRES

HUSH

MAXIMUM WEIGHT OF DOOR 9kg (20lbs) PER DOOR
DOOR THICKNESS BETWEEN 12mm - 20mm
WIDTH OF DOOR NOT LESS THAN HALF HEIGHT



COMPONENTS:

- 13-2 ALUMINIUM TRACK
- 13-295 NYLON SLIDER
- 13-391 NYLON GUIDES
- 97-728 NYLON DOOR STOP
- No.8 x 1" WOODSCREW (FOR SLIDER)
- No.6 x 5/8" ROUND HEAD SCREW (FOR TRACK)
- No.5 x 1/2" WOODSCREW (FOR GUIDES)

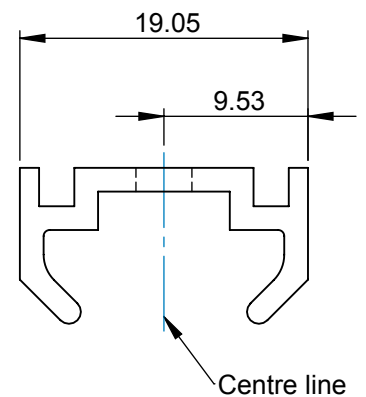
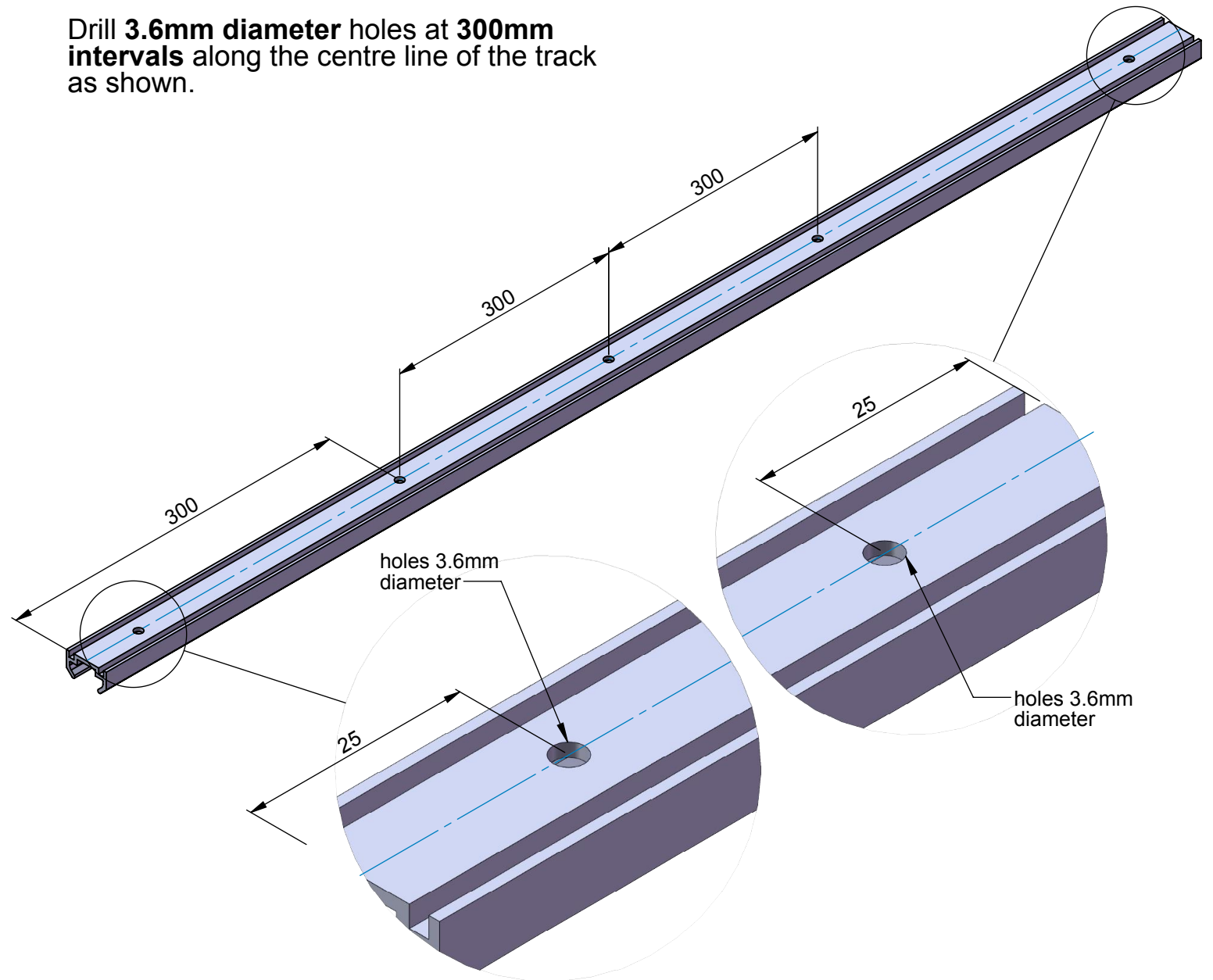
Thoroughly read all instructions before commencing installation

Cut track to width of opening.

Drill **3.6mm diameter** holes, **25mm** from either end of the track along the centre line as shown.

Drill another **3.6mm diameter** hole **300mm** from the end of the track, along the center line.

Drill **3.6mm diameter** holes at **300mm intervals** along the centre line of the track as shown.



The **number of holes** will depend on the length of the track.

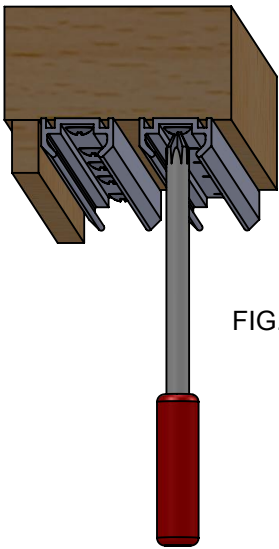


FIG.1

Fix track with **No.6 x 5/8"** round head screws into position as shown in fig.1.

Screw the **nylon gliders** to the top of the door at equal distance from both ends using **No.8 x 1"** woodscrews as shown in fig.2. Avoid screwing into the end grain.

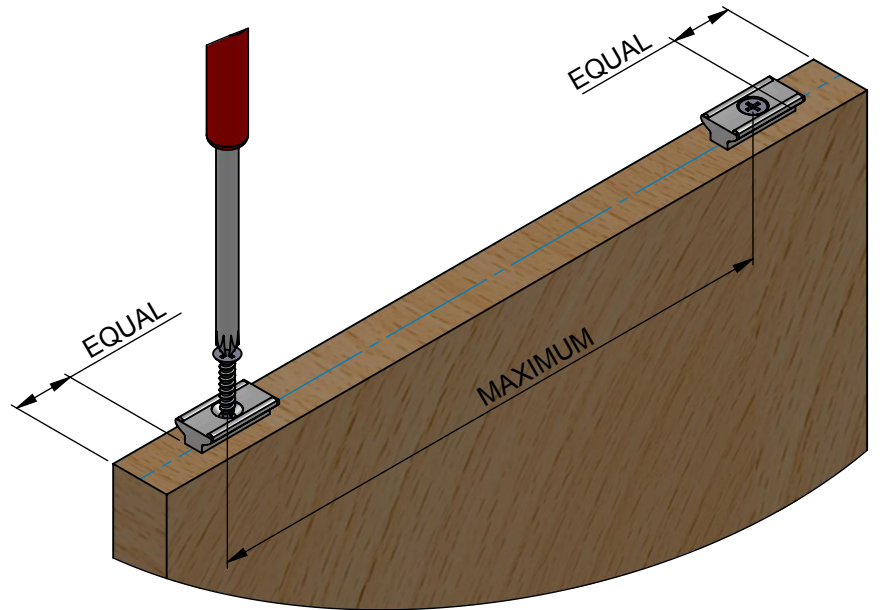


FIG.2

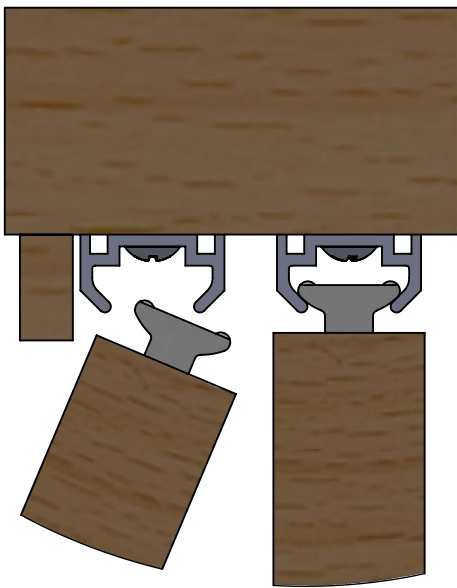


FIG.3

Hook door into track hanging rear door first, see fig.3.

Ensure that the doors are plumb before screwing the **nylon guides** into place using **No.5 x 1/2"** woodscrews as shown in fig.4.

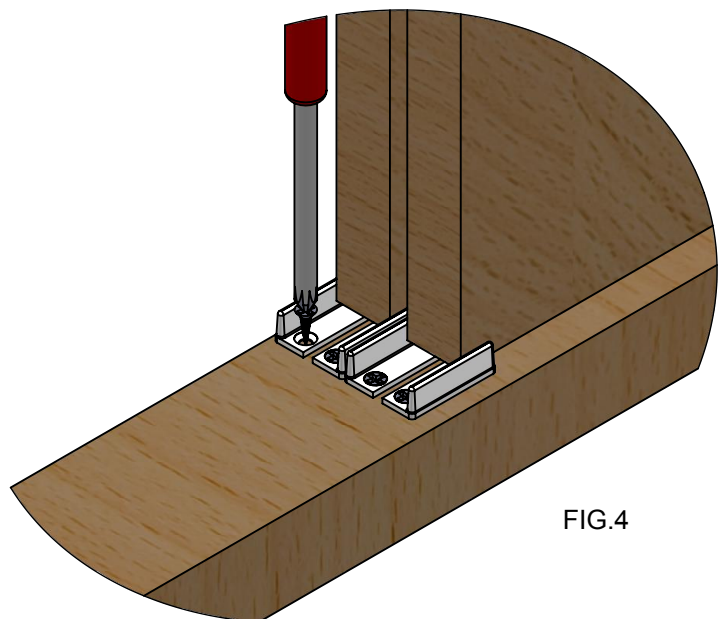
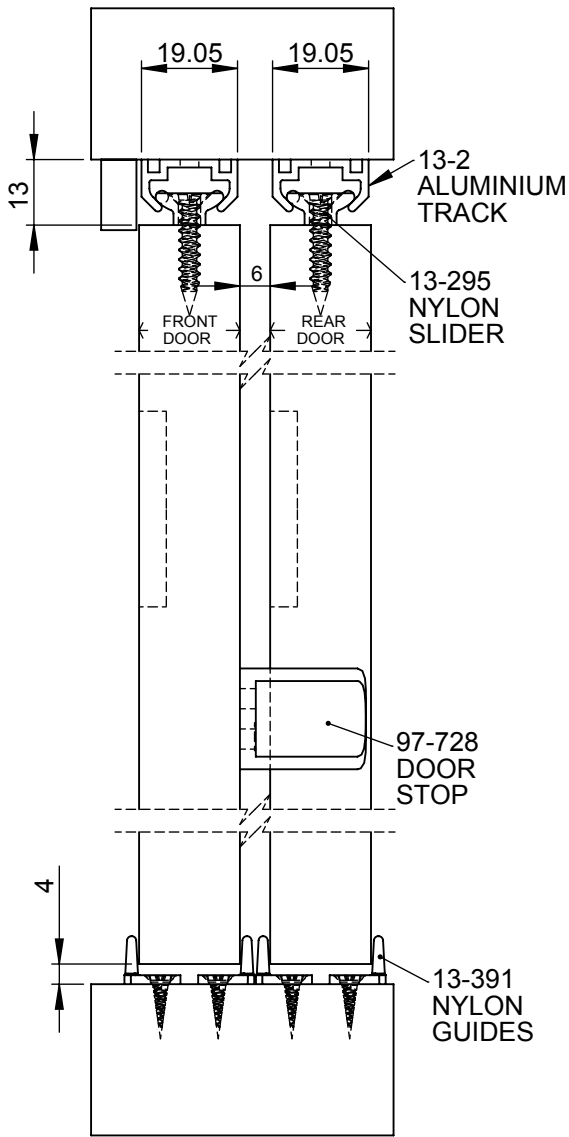
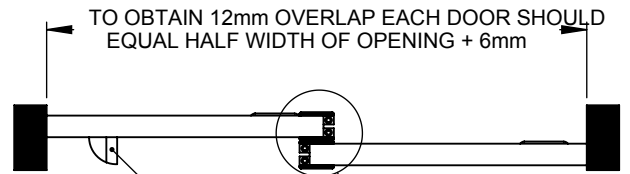


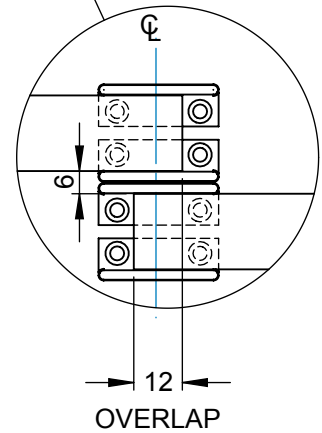
FIG.4



DOUBLE DOOR SECTION



POSITION STOP SO THAT FRONT DOOR DOES NOT PASS OVER FINGER PULL IN REAR DOOR



Fit the door stop in position so that the front door does not pass over the finger pull in the rear door.