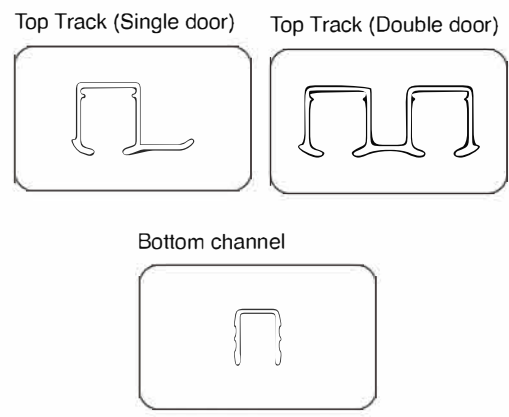


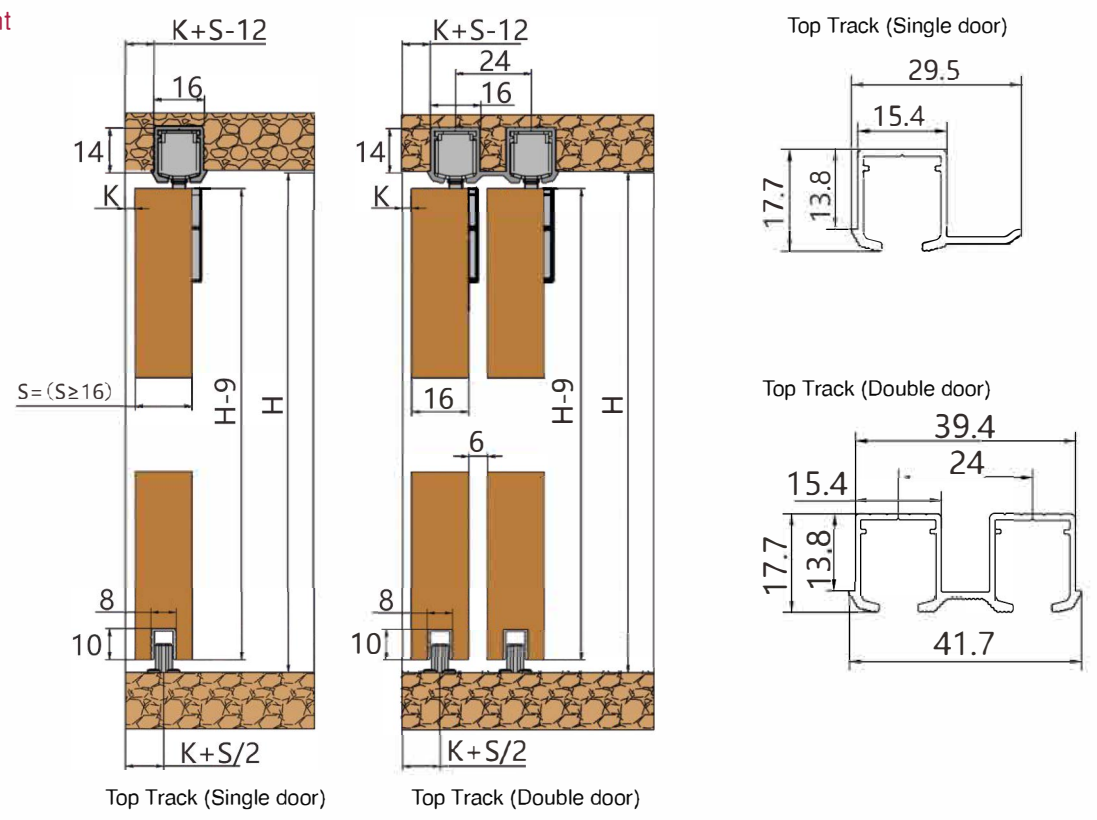
## Cabinet sliding system (Wooden doors)

Accessories	Qty	Accessories	Qty	Accessories	Qty
Wooden door plate	2	Stopper	2	Wooden door damper	2
Guide	1	2mm allen key	1	ST4*16 cross countersunk head tapping screws	8

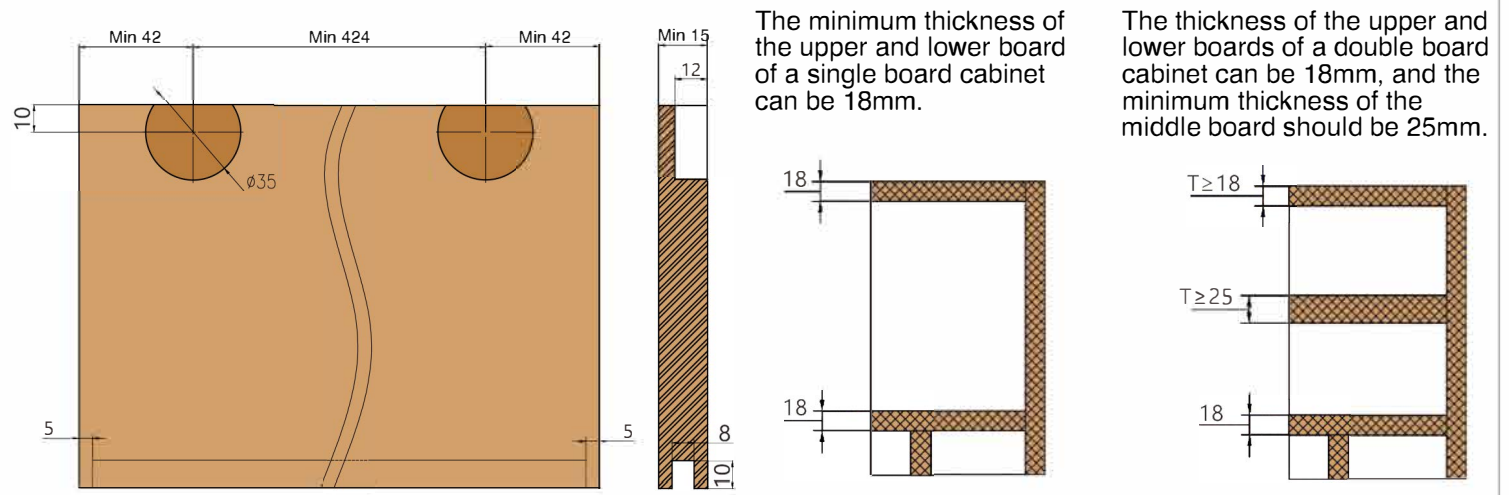


### 1. Cabinet size

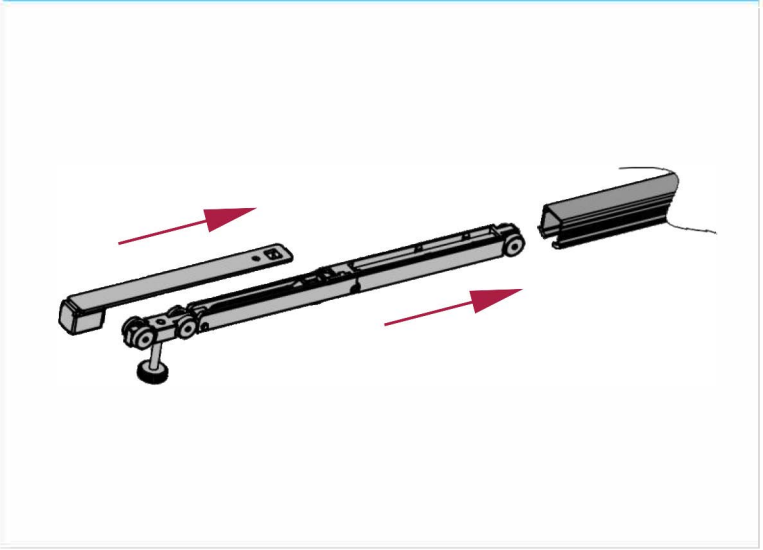
- Installation parameters:
- Maximum door weight 15kg
  - Minimum door width 520mm
  - Door thickness 16mm - 19mm



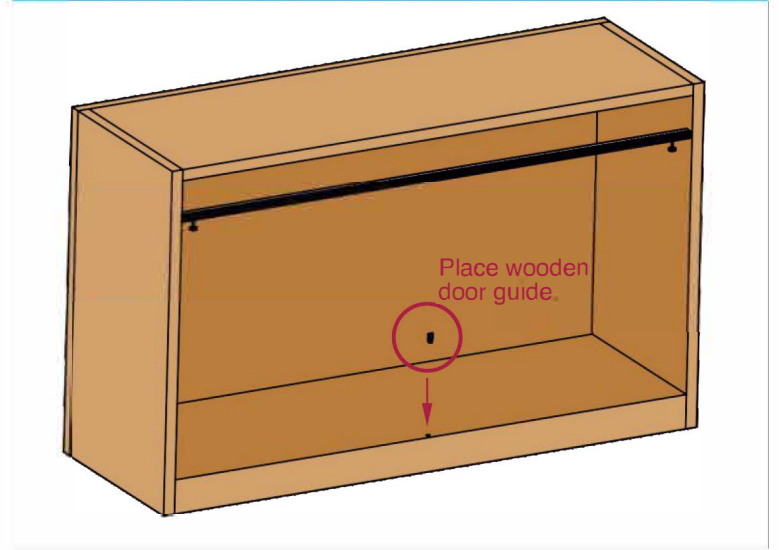
### 2. Door preparation



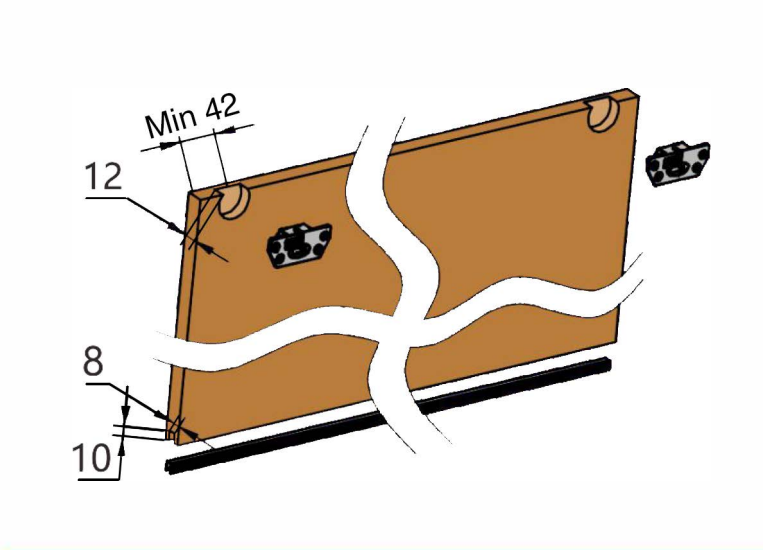
### 3. Insert stopper and hanger assembly into track



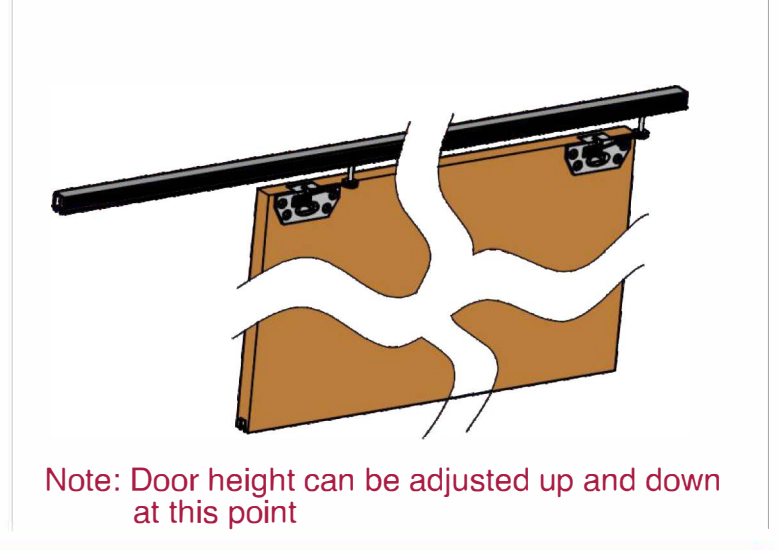
### 4. Install top track and guide



### 5. Drill holes on the door, install doorplates and bottom channel



### 6. Install the door (Hang the pendant bolt into the door plates)



### 7. Adjust stopper to let the damper run completely and then close the door

