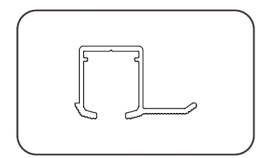


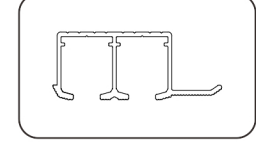
Cabinet sliding system (Glass doors)

Accessories	Qty	Accessories	Qty	Accessories	Qty
Glass door plate	2	Stopper	2	Glass door damper	2
Guide	1	2mm allen key	1	ST3*16 cross countersunk head tapping screws	2

Top Track (Single door)

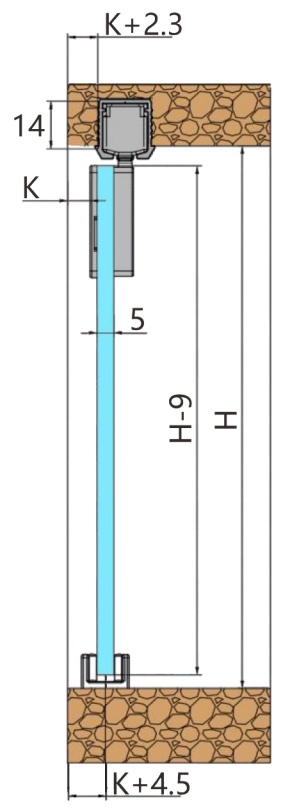


Top Track (Double door)

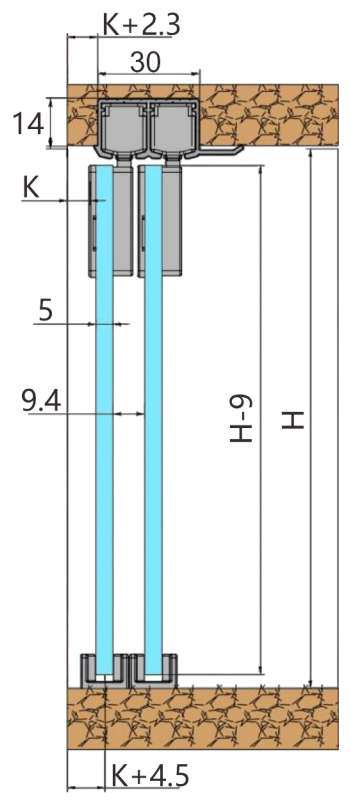


1. Cabinet size

- Installation parameters:
- Maximum door weight 15kg
 - Minimum door width 520mm
 - Door thickness 5mm

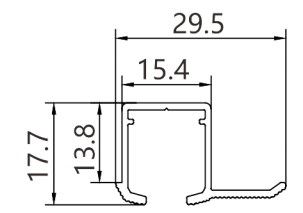


Top Track (Single door)

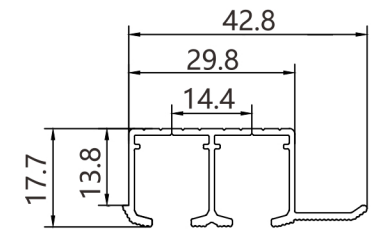


Top Track (Double door)

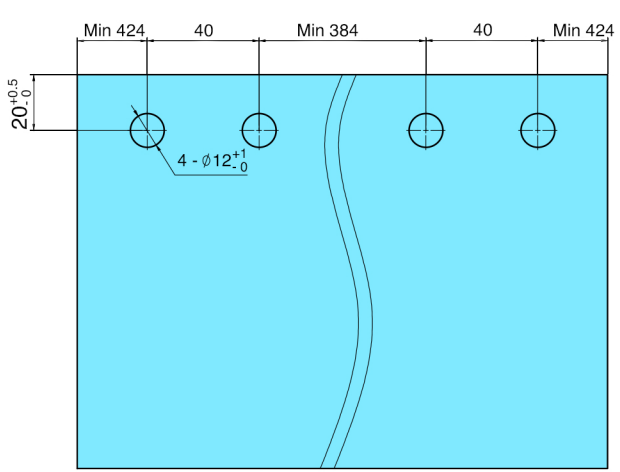
Top Track (Single door)



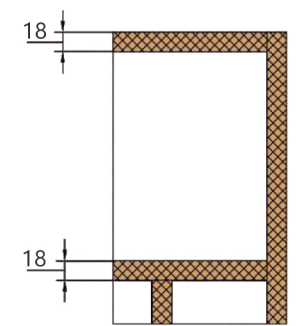
Top Track (Double door)



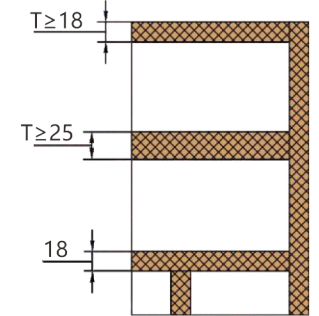
2. Door preparation



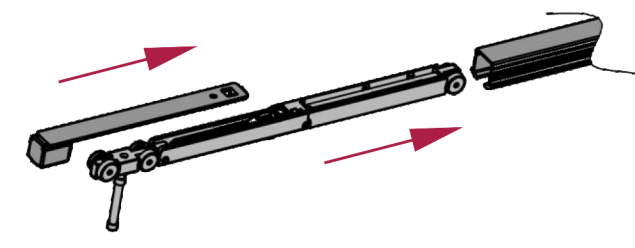
The minimum thickness of the upper and lower board of a single board cabinet can be 18mm.



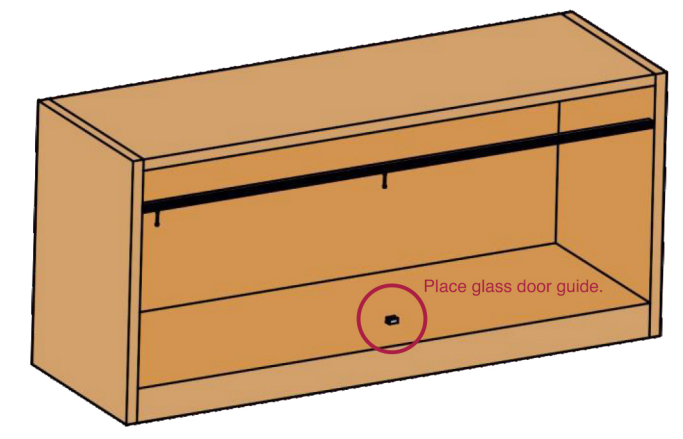
The thickness of the upper and lower boards of a double board cabinet can be 18mm, and the minimum thickness of the middle board should be 25mm.



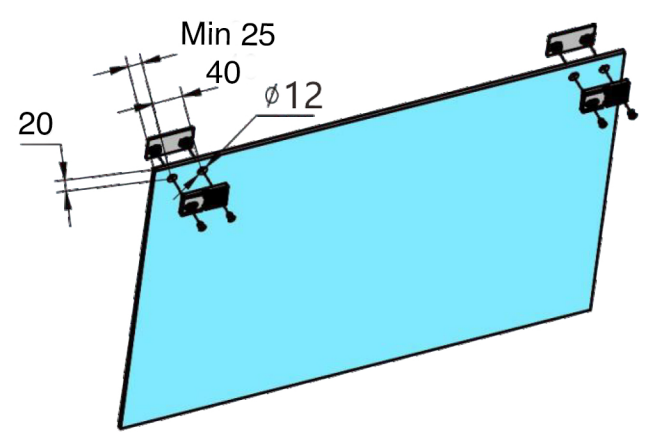
3. Insert stopper and hanger assembly into track



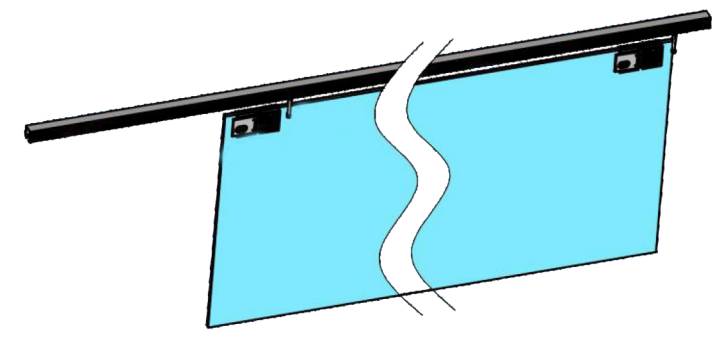
4. Install top track and guide



5. Drill holes on the door, install glass door plates



6. Install the door (Hang the pendent bolt into the door plates and lock)



Note: Door height can be adjust up and down at this point

7. Adjust stopper to let the damper run completely and then close the door

