

# Coburn Straightaway Door Gear



# Straightaway Sliding Door Gear

## FOR TIMBER OR METAL DOORS EITHER TOP HUNG OR BOTTOM ROLLING



A comprehensive range of sliding door fittings for either top hung or bottom rolling straight sliding doors, constructed in timber or metal and operating on single or multiple track runs.

Except for Straightaway 100, standard door hangers are of steel construction with ball bearings lubricated for life. For full details of hangers, bottom rollers, tracks, brackets and guides refer to the page relating to the door gear concerned. Top hung straight sliding door gears for single track runs have been exhaustively tested to establish realistic carrying capacities. The performance recommendations apply to the gear only and specifiers and purchasers must satisfy themselves that the building structures are adequate for the door weights and local wind pressures. Specified working clearance should be maintained under all conditions.

For heavier doors apply for details of special tracks and alternative systems. All loadings given are based on doors subject to normal manual usage under average wind-loading conditions.

Whilst the systems shown in this catalogue are especially suitable for exterior openings, their use may be considered in some instances for interior use.

## Index

TOP HUNG STRAIGHT SLIDING DOOR GEARS			
SINGLE TRACK RUNS			
Maximum Door Weight kg	Maximum Door Height m	Gear Number	Page Numbers
100	2.5	100	10-11
200	4.0	216	12-13
400	5.0	320	16-17
600	6.0	325	20-21
1000	7.0	430	24-25
1500	8.0	438	26-27
DOUBLE PARALLEL TRACK RUNS			
N.B Single track capacities, as shown above, apply to doors operating on double or multiple track runs supported by Individual soffit fixing brackets.			
125	2.7	216	14-15
225	3.3	320	18-19
365	3.6	325	22-23
550	4.2	430	24-25
BOTTOM ROLLING STRAIGHT SLIDING DOOR GEARS			
SINGLE OR DOUBLE PARALLEL TRACK RUNS			
115	2.4	700	28-29
180	3.0	710	28-29
250	3.5	865	32-33
400	3.5	720	30-31
500	4.0	880	34-35
1000	5.0	884	36-37

# Top Track Brackets

## DESIGN

Brackets have been designed to perform to all maximum carrying capacities shown in this catalogue under all normal conditions. For unusual and mechanically operated doors consult HILLALDAM COBURN.

## MATERIALS

All brackets are either aluminium, forged or pressed steel. Upper parts of single and double laterally adjustable brackets are from malleable iron. Cast iron is never used.

## SINGLE TRACK SIDE FIXING BRACKETS

Type -100 Open brackets -051 Closed end piece to convert 2-100 & 3-100 open brackets to any hand of closed end. 3-007 Closed end piece to convert 3-105 open bracket to any hand of closed end. 4-051 Closed end piece to convert 4-100 open bracket to any hand of closed end. -002 Lock joint plate to convert 2-100, 3-100 and 8-100 open brackets to lock joint brackets. 3-106 Lock joint bracket for 3-25 track. 4-102 Lock joint bracket for 4-30 track.

## UNIVERSAL SOFFIT FIXING BRACKETS

Type -150 Open bracket. -051 Closed end piece to convert open bracket to any hand of closed end. -152 Lock joint bracket.

## JOINT AND END BRACKETS

All types of brackets employ set screw jointing devices and are available with closed end plates to blank off the ends of track runs. The 100 series of brackets for 2-16, 3-20 and 8-25 tracks have a detachable lock-joint kit to convert the ordinary plain bracket, and most types of brackets for 2-16, 3-20, 3-25 and 4-30 tracks have detachable end plates which convert plain brackets to any hand of closed end.

## FINISH

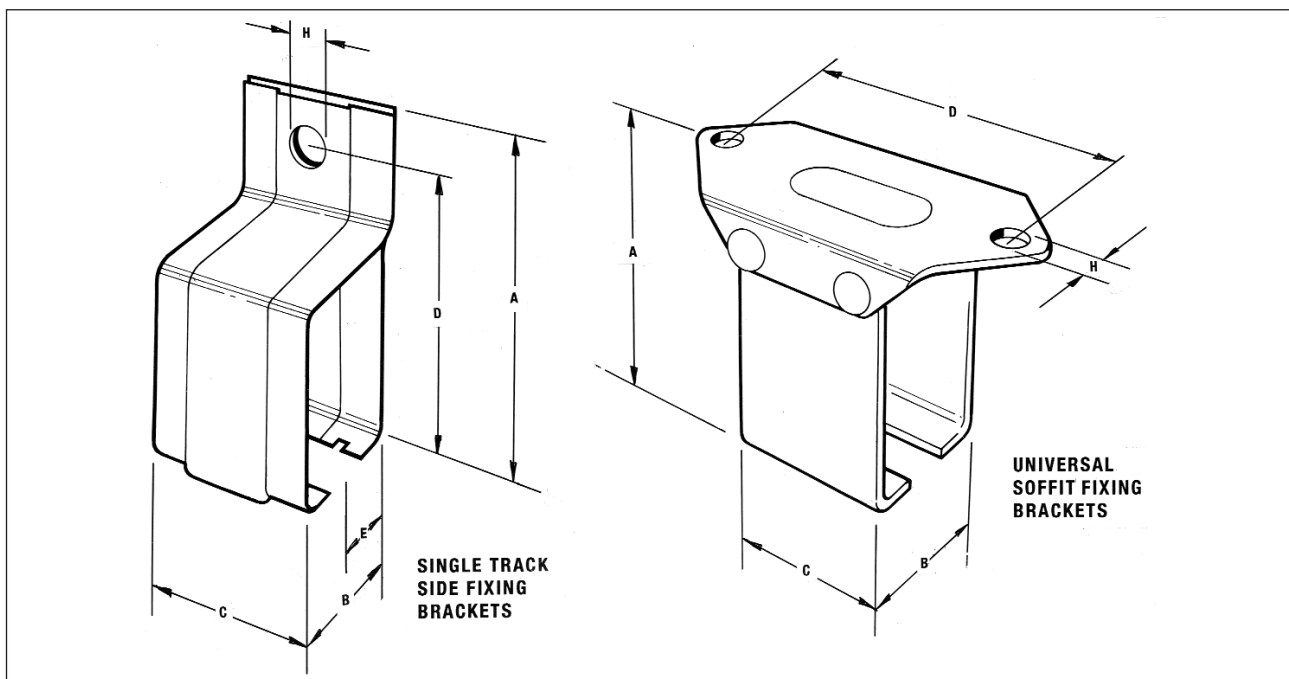
All steel and malleable iron brackets are supplied plated.

## SINGLE TRACK SIDE FIXING BRACKETS

Track No.	A	B	C	C	D	E	H
	mm	mm	Open/ Closed mm	Lock- Joint mm	mm	mm	Bolt Dia. mm
2-16	92	50	49	49	76	25	10
3-20	121	67	60	60	102	35	12
3-25	121	68	60	80	102	36	16
4-30	152	81	75	100	130	45	16
10-30							
8-25	102	58	50	50	83	29	12

## UNIVERSAL SOFFIT FIXING BRACKETS

Track No.	A	B	C	D	H
	mm	mm	mm	mm	Bolt Dia. mm
2-16	70	45	45	90	8
3-20	94	58	57	115	10
3-25					
4-30	120	76	76	140	12
10-30					
8-25	73	58	57	115	10



# Top Track Brackets

## DOUBLE TRACK SIDE FIXING BRACKETS

Type - 130 Open brackets.

- 051 Closed end piece to convert open brackets to any hand of closed end.
- 132 Lock joint brackets.

Track No.	A	B	C	D	H Bolt Dia. mm
	mm	mm	mm	mm	
2-16	108	45	45	95	12
3-20	147	58	57	125	16
3-25	147	58	57	125	16
4-30	198	76	76	168	20
10-30	198	76	76	168	20
8-25	127	58	57	105	16

## SINGLE TRACK ADJUSTABLE SIDE FIXING BRACKETS

Type 4-120 Open brackets.

- 4-051 Closed end piece to convert open brackets to any hand of closed end.
- 4-122 Lock joint brackets.

Track No.	A	B	C	D	H Bolt Dia. mm	M Min. mm	M Max. mm
	mm	mm	mm	mm	mm	mm	mm
4-30	200	76	76	168	16	38	73
10-30	200	76	76	168	16	38	73

## JOINT AND END BRACKETS

For the track brackets shown on this page, detachable end plates are available to convert the open bracket to any hand of closed end. Lock joint brackets are supplied complete with set screw jointing device.

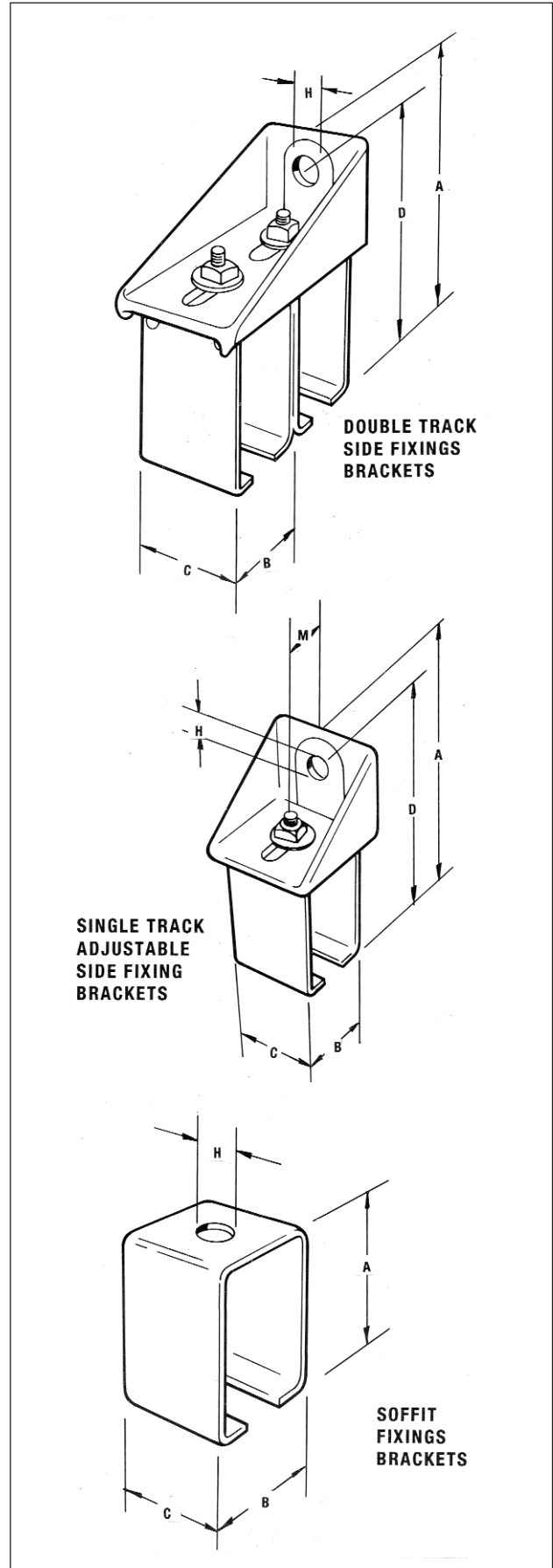
## SOFFIT FIXING BRACKETS

For single or multiple track runs

Type - 190 Open bracket.

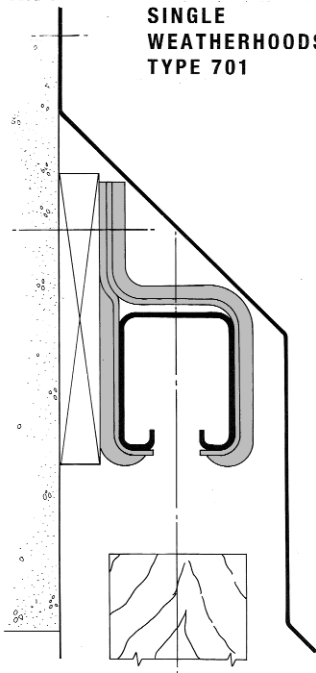
- 051 Closed end piece to convert open brackets to any hand of closed end.
- 192 Lock joint brackets.

Track No.	A	B	C	H Bolt Dia. mm
	mm	mm	mm	mm
2-16	65	44	44	10
3-20	87	58	57	12
3-25	87	58	57	12
4-30	113	73	76	16
10-30	113	73	76	16



# Bracket Spacing and Weatherhoods

## SINGLE WEATHERHOODS TYPE 701

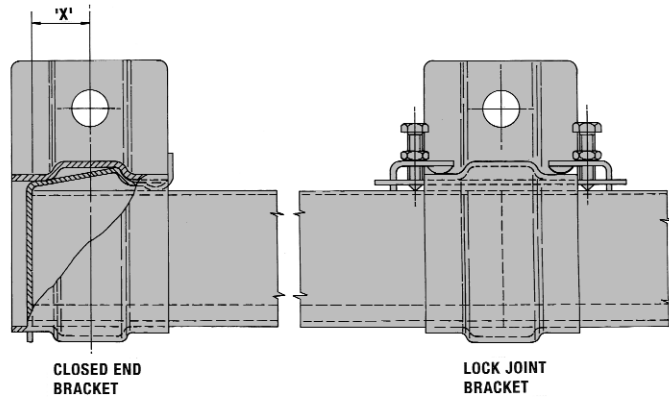


ALL WEATHERHOODS HAVE LAPPED JOINTS AND ARE SUPPLIED IN 2.4 METRE LENGTHS.

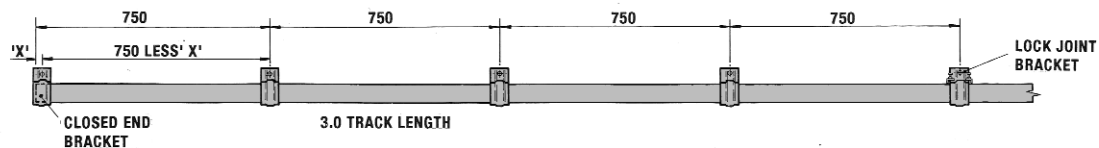
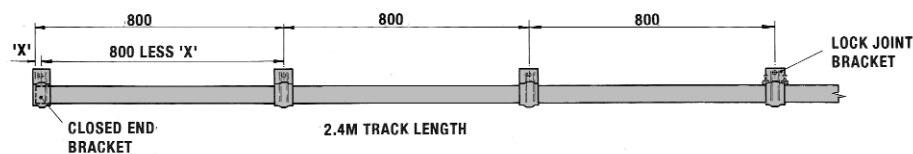
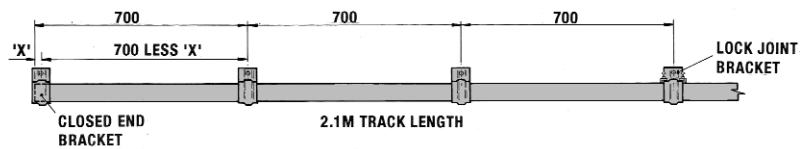
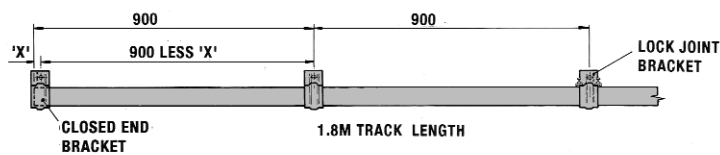
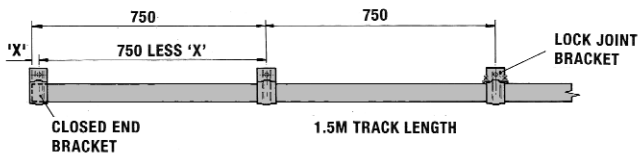
END CAPS ARE SUPPLIED SEPARATELY AND ARE HANDED.

ALWAYS ORDER 300mm OR MORE WEATHERHOOD THAN TRACK LENGTH.

SINGLE WEATHERHOODS FOR USE WITH TYPE 100 SIDE FIXING BRACKETS		
TRACK	WEATHER HOOD	END CAP
2-16	2-701	2-703
3-20	3-701	3-703
3-25	3-701	3-703
8-25	3-701	3-703



## BRACKET SPACINGS



FOR TRACKS 2-16, 3-20, 3-25 & 4-30 THE CLOSED END PIECES ARE SEPARATE ITEMS.

FOR TRACKS 2-16, 3-20 & 8-25 SEPARATE LOCK JOINT PLATES ARE SUPPLIED TO CONVERT TYPE 100 OPEN SIDE WALL BRACKETS TO LOCK JOINT BRACKETS.

ADDITIONAL BRACKETS MAY BE NECESSARY WITH THE HEAVIEST GEARS - REFER TO APPROPRIATE DRAWINGS.

TRACK No.	DIMENSION 'X'
2-16	16mm
3-20	20mm
3-25	20mm
4-30	25mm
8-25	20mm
10-30	25mm

# Top Track Sections – Full Size

## TOP HUNG AND BOTTOM ROLLING DOORS DESIGN

Straight walls, generous corner radii and specially designed flat tread to give increased life and to match trolley wheels.

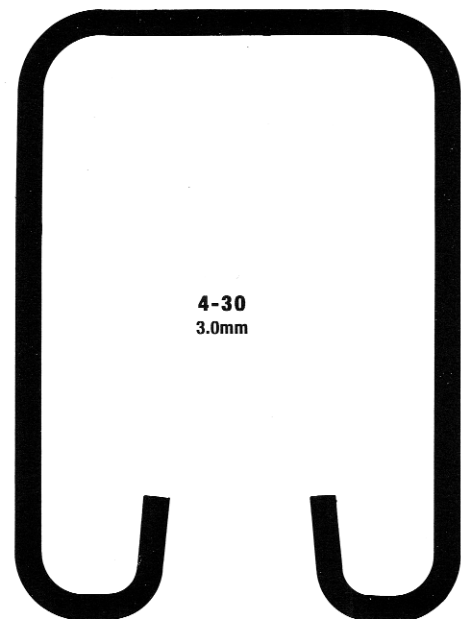
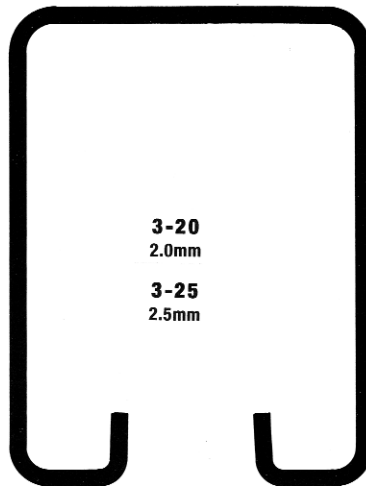
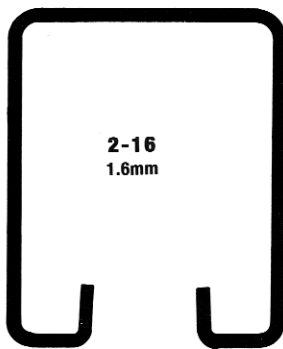
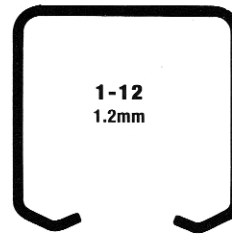
### MATERIAL

Tubular trolley tracks and top guide tracks are manufactured from cold rolled galvanised steel to BS.2989. Track lengths normally 1.8m to 3.0m. (For longer lengths see price list.)

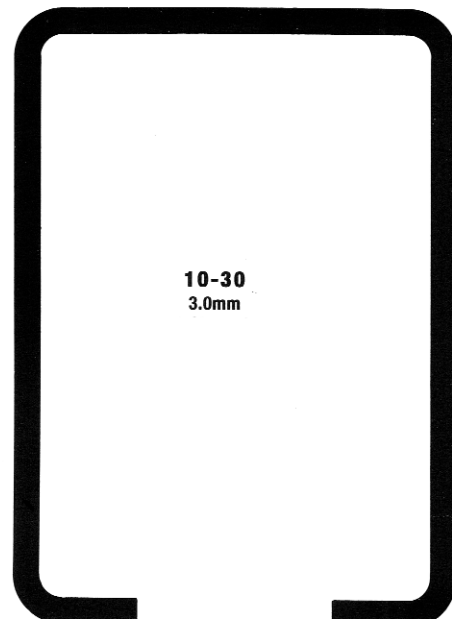
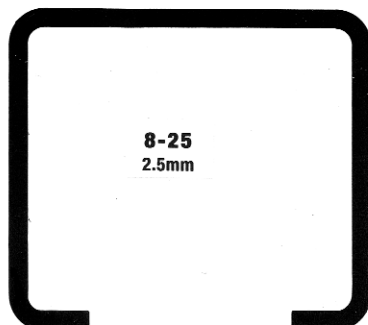
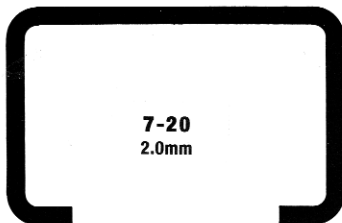
### CARRYING CAPACITIES

All tracks have been exhaustively tested, in conjunction with track brackets, to establish realistic carrying capacities. Track bracket spacings must not exceed 900mm. Capacities shown are for normal manual installations consult Hillaldam Coburn for all unusual and mechanically operated doors.

## TRACK SECTIONS FOR TOP HUNG DOORS



## TOP GUIDE TRACKS FOR BOTTOM ROLLING DOORS



# Floor Channels and Bottom Tracks

## FULL SIZE SECTIONS

A comprehensive range of floor channels and bottom tracks in steel, aluminium and brass. Lengths 1.8m to 3.0m (44-1 TO 4.0m).

## STEEL FLOOR CHANNELS

Available as extras are lugs for concrete and connecting shoes to ensure perfect alignment. 45-1 channel incorporates built-in lugs which grip concrete along its entire length.

## BRASS CHANNELS AND TRACKS

Normally supplied drilled and counter sunk for screw fixing direct into timber cill or threshold. Lugs for concrete available for 72-3 brass track.

## STEEL BOTTOM TRACKS

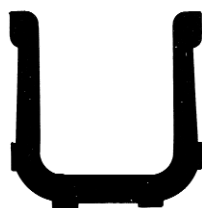
For bottom rolling doors. Fixing direct into concrete, connecting shoes ensure perfect alignment between track lengths.



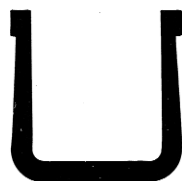
**41-2 CHANNEL**  
ALUMINIUM 15 x 12



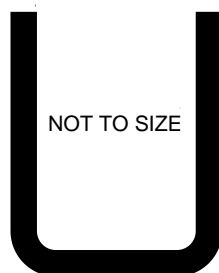
**44-1 CHANNEL**  
STEEL 25 x 25



**44-2 CHANNEL**  
ALUMINIUM 25 x 25



**44-3 CHANNEL**  
BRASS 22 x 22



NOT TO SIZE

**45-1 CHANNEL**  
STEEL 35 x 28



**64-3 BOTTOM TRACK**  
BRASS 11 x 32



**66-1 BOTTOM TRACK**  
STEEL 10 x 21



**66-3 BOTTOM TRACK**  
BRASS 10 x 21

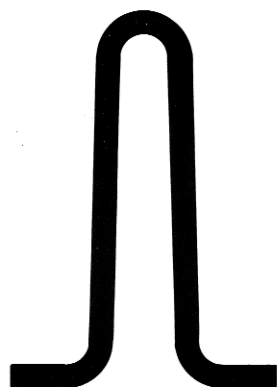


NOT TO SIZE

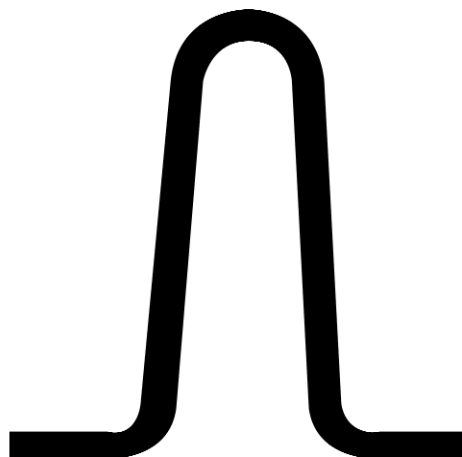
**70-4 BOTTOM TRACK**  
STAINLESS STEEL 9.5 x 25.5



**72-3 BOTTOM TRACK**  
BRASS 14 x 30

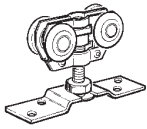


**86-1 BOTTOM TRACK**  
STEEL 50 x 35

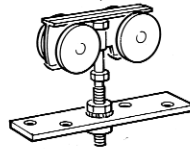


**89-1 BOTTOM TRACK**  
STEEL 60 x 60

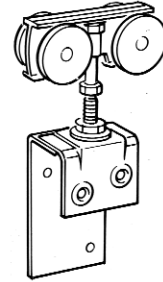
# Door Hangers



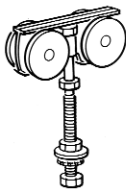
**1-203**



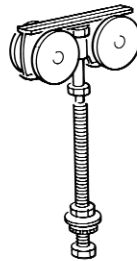
**2-203**



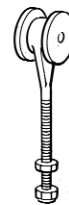
**2-201**



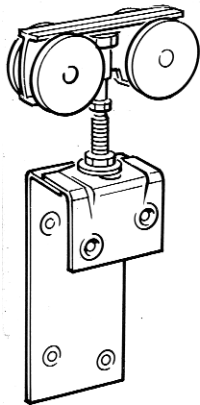
**2-207**



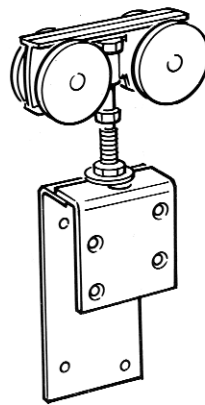
**2-207-10**



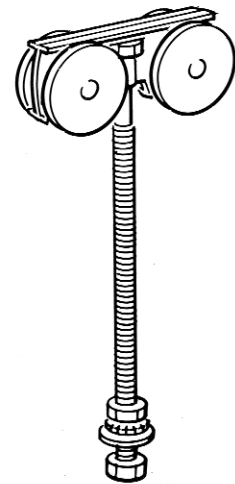
**2-206**



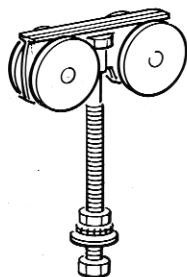
**3-201**



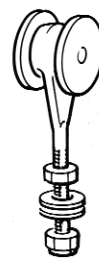
**3-202**



**3-207-10**

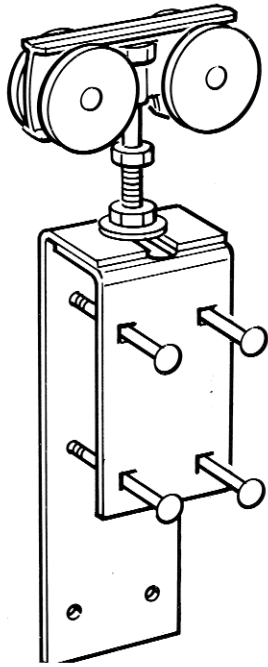


**3-207**

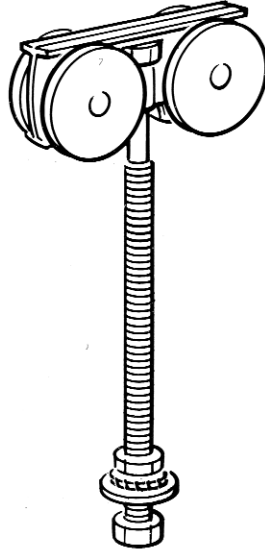


**3-206**

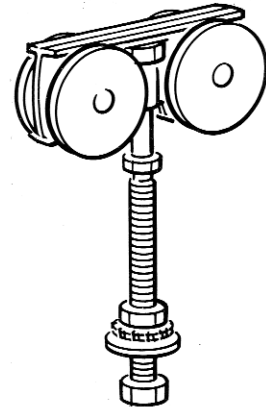




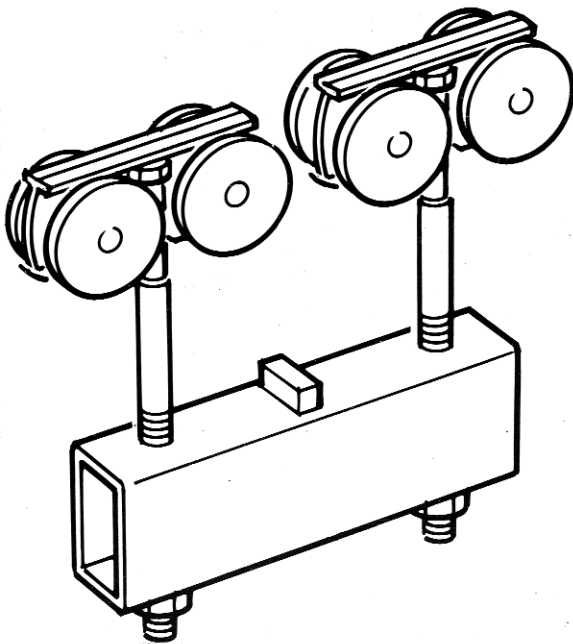
4-201



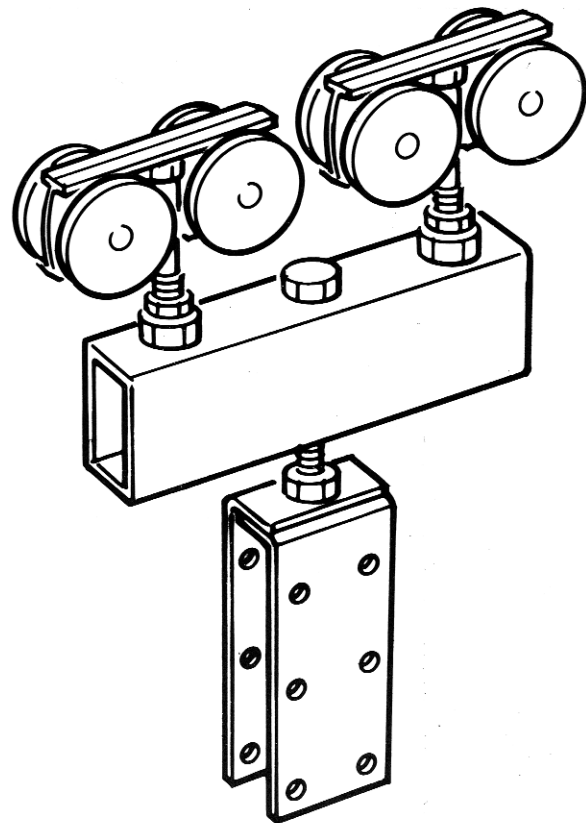
4-207-10



4-207



4-208



4-204

# Straightaway 100 Sliding Door Gear

## FOR INTERIOR AND EXTERIOR STRAIGHT SLIDING DOORS WEIGHING UP TO 100KG.

### APPLICATION

Top hung straight sliding doors for domestic, schools, hospitals and light agricultural, industrial and commercial applications.

### RANGE

Maximum door weight	100kg (220 lb)
Maximum door height	2.5m
Door thickness	20 to 50mm

### DOOR CONSTRUCTION

Normal timber framed construction, flush panelled, glazed or framed, ledged and braced. Adequate top rail required to provide secure fixing of hanger. Minimum door thickness 30mm when using floor guide channel. Metal doors of light angle or channel frame construction, minimum thickness 40mm.

### TRACK

1-12 (1.2mm) Galvanised steel to BS EN 10142. Drilled for brackets or soffit fixing. Lengths 1.5m to 6.0m. Extruded aluminium track available as an option.

### TRACK BRACKETS

1-105 Extruded aluminium, open side fixing bracket. 1-007 closed end piece to convert 1-105 open bracket to any hand of closed end.

### HANGERS

1-203 For timber or metal doors. Steel construction, 4 nylon wheels, ball bearings lubricated for life. Vertical and lateral adjustment.

### DOOR GUIDE

97-780 Pressed steel and nylon construction. Suitable for doors up to 1.5m wide, 30 to 45mm thick. Alternative guides shown below.

### TRACK END PIECE

1-719 Track end piece with holdback catch. Independent door stops should be fitted at mid-height of door (see opposite page).

### FURNITURE

A range of door furniture is available.

### FINISHES

Top track galvanised. Hangers, Steel brackets and door stops zinc plated. Furniture usually plated.

### STANDARD PACKSETS

#### SINGLE DOOR COMPONENT PACK 100-010

Comprising; 1 pair 1-203 nylon wheel hangers, 2 only 1-719 track door stops. 42-371 No channel door guide, spanner, installation details and all screws.

### TOP TRACK

Available in the following standard lengths:

1-12-15 length 1.5m	1-12-24 length 2.4m
1-12-18 length 1.8m	1-12-30 length 3.0m
1-12-21 length 2.1m	See price list for longer lengths.

### SIDE FIXING TRACK BRACKET PACKS

1-005 comprising 5 brackets with fixing screws for track lengths 1.5m, 1.8m or 2.1m.

1-008 comprising 8 brackets with fixing screws for track lengths 2.4m or 3.0m.

## ALTERNATIVE BOTTOM GUIDING FOR STRAIGHT SLIDING DOORS

### INTERIOR TIMBER DOORS

FOR DOORS UP TO 1500mm WIDE

44-2 Aluminium channel housed in underside of door with 44-371 polypropylene guide fitted at corner of opening leaving clear threshold.

FOR DOORS OVER 1500mm WIDE

2 only 41-346 nylon blade door guides fitted to each door, in conjunction with 41-2 aluminium floor channel, drilled and c/sk for woodscrew fixing.

### EXTERIOR DOORS

TIMBER DOOR GUIDES 44-310 Malleable iron for 30mm to 50mm doors, in conjunction with 44-1 floor channel.

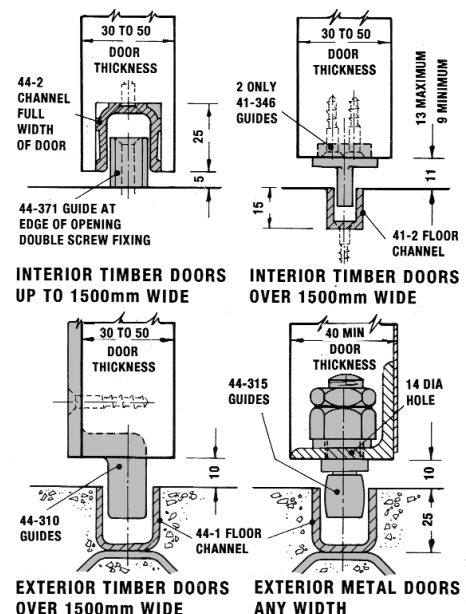
METAL DOOR GUIDES 44-315 Brass roller with zinc plated steel spindle, in conjunction with 44-1 floor channel.

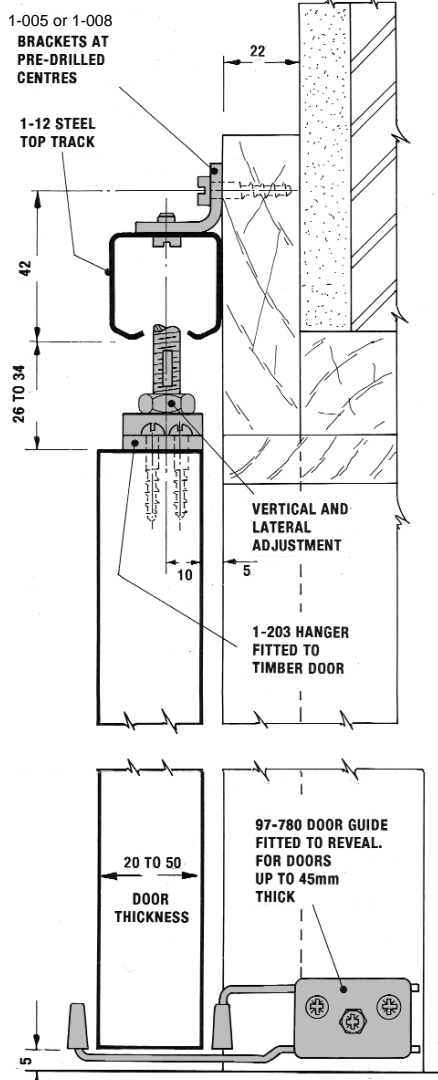
FLOOR CHANNEL 44-1 steel, lugged for concrete, with shoes for joints.

44-2 aluminium, drilled and c/sk for woodscrew fixing, Lengths 1.5m to 3.0m.

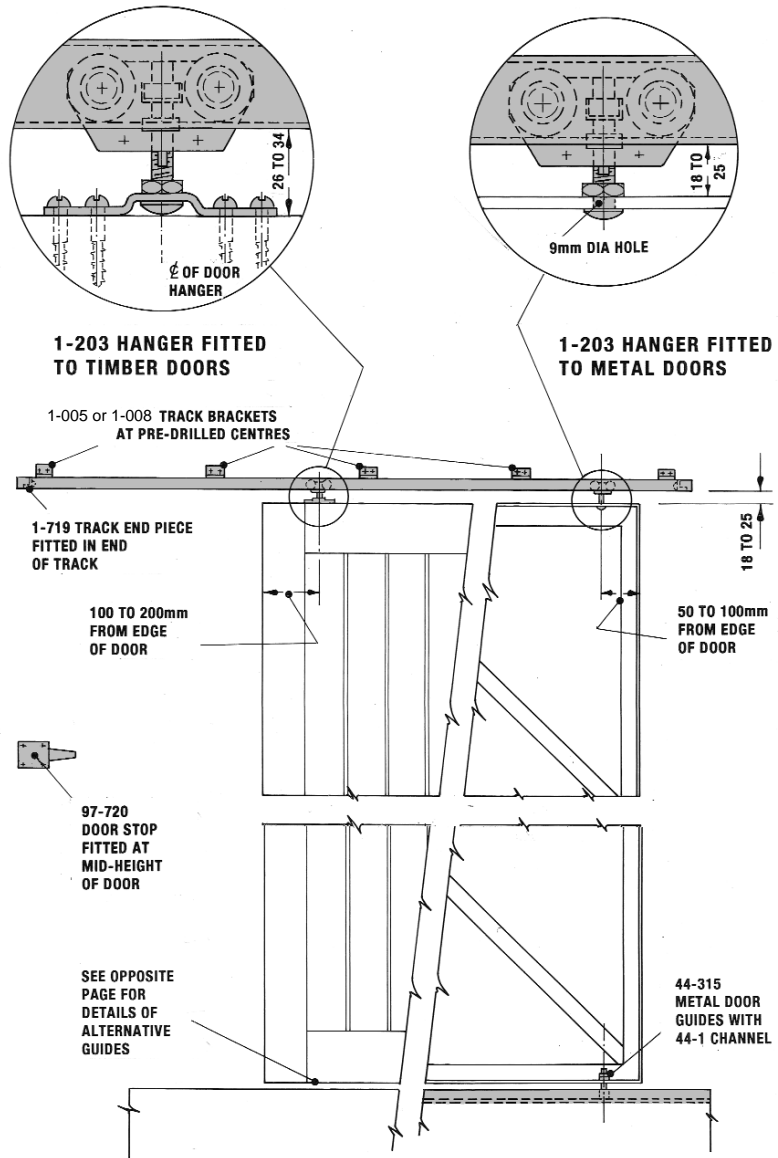
### PERFORMANCE

All Straightaway 100 sliding door gear fittings have been tested for endurance and strength. Each type of 4 wheel hanger together with its associated fittings has been loaded to the maximum stated capacities and tested over 100,000 cycles without failure.

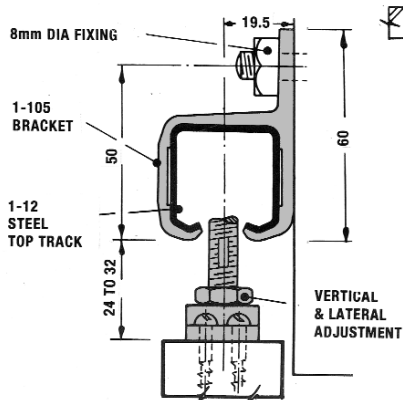




SECTION THROUGH OPENING



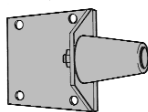
ELEVATION OF TIMBER AND METAL DOORS



ALTERNATIVE TOP TRACK BRACKETS NOT SUITABLE FOR USE WITH 1-22 ALUMINIUM TRACK



PLAN OF DOORS



WALL MOUNTING EXTRUDED ALUMINIUM WITH BLACK RUBBER BUFFER

97-720 DOOR STOP

# Straightaway 216 Sliding Door Gear

## FOR DOORS ON SINGLE TRACKS APPLICATION

Top hung straight sliding doors of light construction on single runs of track. For factories, garages, warehouses etc.

## RANGE

Maximum door weight 200kg (440 lb) Maximum door height 4.0m (13ft)

Consider wind pressure in exposed positions, if in doubt consult gear makers. Timber door thickness 35mm to 44mm. Metal door thickness 40mm.

## DOOR CONSTRUCTION

Timber doors usually framed, ledged and braced. Stiles should be a minimum of 90mm to accommodate hanger aprons. Metal doors usually angle framed, or hollow tubular sections, sheeted one or both sides. Ensure adequate bracing. Weatherhoods are recommended on external doors.

## FIXING

Track brackets usually side fixing. Floor channel set flush and guides normal but stay rollers or floor guides are an alternative. All hangers have vertical adjustment.

## HANGERS

All steel, ball bearing lubricated for life. 2-201 timber doors, vertical and lateral adjustment. 2-203 top plate fixing for timber doors, vertical adjustments. 2-207 metal doors, vertical adjustment. 2-207-10 Metal door hanger designed for use with hollow tubular frame sections up to 80mm deep.

## TRACK

2-16 (1.6mm) Galvanised steel to BS EN 10142. Lengths 1.8m to 6.0m.

## TRACK BRACKETS

Steel. See drawing and full range details pages 3-4.

## DOOR GUIDES

44-310 from 35mm to 44mm timber doors. 44-315 for metal doors

## FLOOR CHANNEL

44-1 Galvanised Steel. Lugs available for concrete with shoes for joints. Lengths 1.8m to 4.0m.

## WEATHERHOODS

2-701 Galvanised steel to BS EN 10142. Length 2.4m. 2-703 end caps.

## FURNITURE

A range of door furniture and locking arrangements is available.

## DOOR STOPS

97-711 Side fixing at mid-height of door.

## FINISHES

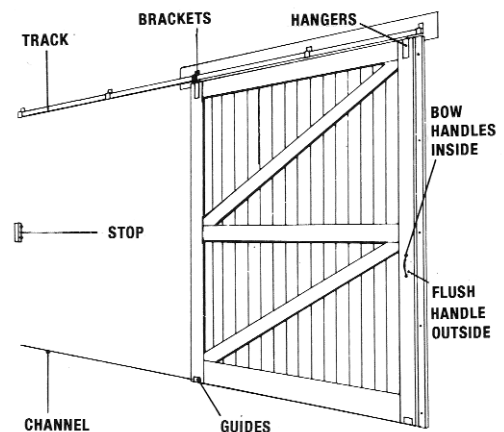
Track and hanger aprons galvanised brackets and furniture plated.

## EXAMPLE

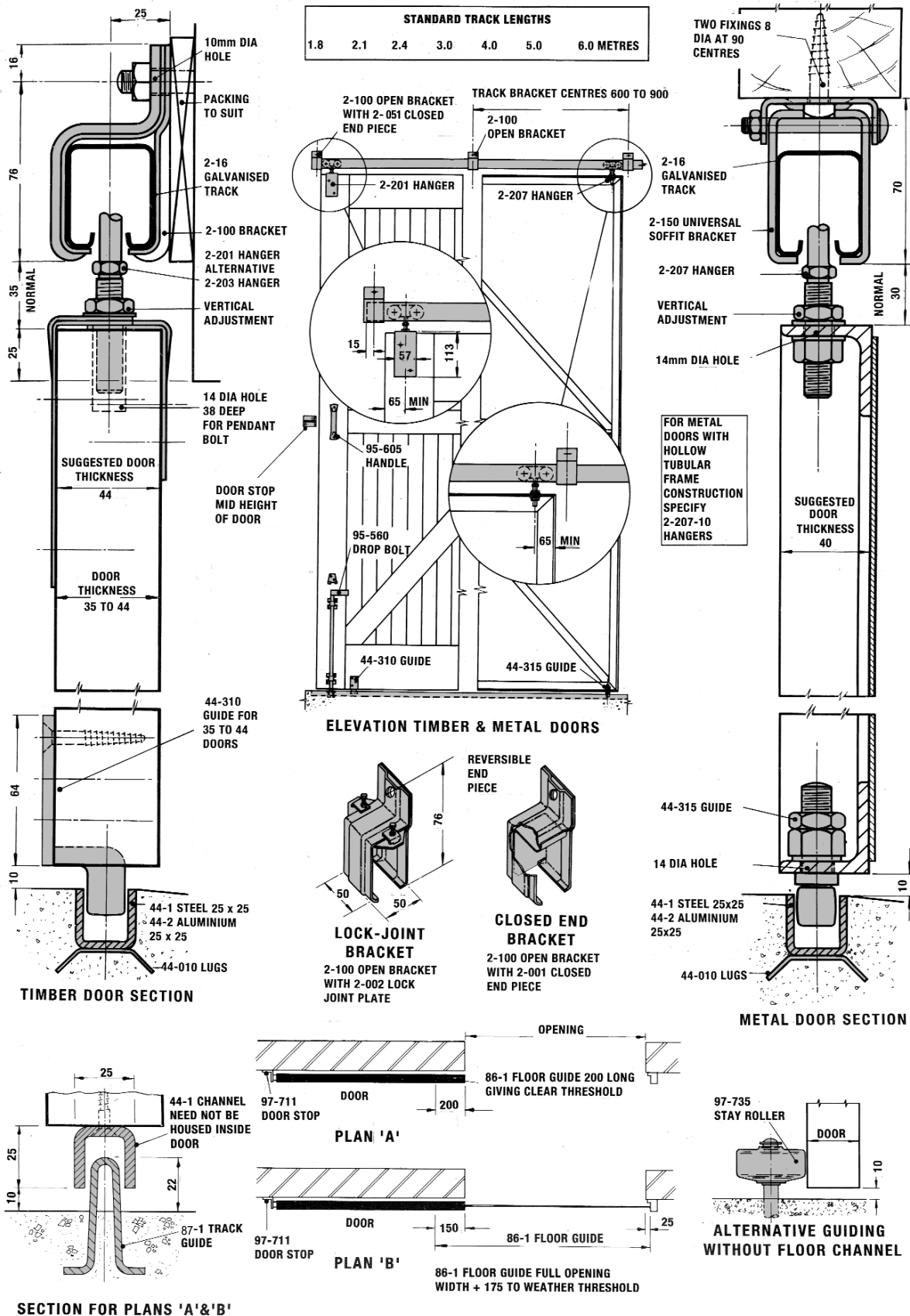
**QUANTITIES FOR A SINGLE TIMBER SLIDING DOOR**  
1.7m Wide x 2.1m high x 44mm thick, weight 150kg

### A TYPICAL BILL OF QUANTITIES

ITEM				
A	2-16	Track, 2 x 1.8m	3.6	LIN M
B	2-100	Brackets, open, side fixing	5	NO.
C	2-051	Closed end piece (pair)	1	NO.
D	2-002	Lock joint plate	1	NO.
E		Bolts for brackets (by others)	5	NO.
F	2-201	Hangers, ball bearing & screws (pair)	1	NO.
G	44-310	Bottom guides and screws	2	NO.
H	44-1	Steel floor channel 2 x 1.8m	3.6	LIN.M
J	44-010	Channel lugs (pack)	2	NO.
K	44-011	Channel connecting shoe	1	NO.
L	95-605	Bow handle and screws	1	NO.
M	95-560	Drop bolt and screws	1	NO.
N	95-617	Flush handle and screws	1	NO.
O	97-711	Door stop	1	NO.
P		Locking arrangements IF EXTERNAL DOOR		
Q	2-701	Weatherhood 2 x 2.4m	4.8	LIN.M
R	2-703	Weatherhood end caps	2	NO.



# Head Details & Stacking Arrangements



# Straightaway 216 Sliding Door Gear

## FOR DOORS ON DOUBLE PARALLEL TRACKS

### APPLICATION

Top hung straight sliding doors of light construction on multiple runs of track. For factories, garages, warehouses etc.

### RANGE

Maximum door weight 125kg (275 lb) Maximum door height 2.7m (9ft) Single track capacities, as shown on page 12, apply to doors operating on double or multiple track runs supported by individual soffit fixing brackets. Consider wind pressure in exposed positions, if in doubt consult gear makers. Timber door thickness 35mm to 44mm. Metal door thickness 40mm.

### DOOR CONSTRUCTION

Timber doors usually framed, ledged and braced. Stiles should be a minimum of 90mm to accommodate hanger aprons. Metal doors usually angle framed, or hollow tubular sections, sheeted one or both sides. Ensure adequate bracing.

### FIXING

Track brackets usually side fixing. Floor channel set flush and guides normal, but stay rollers or floor guides are an alternative. All hangers have vertical adjustment.

### HANGERS

All steel, ball bearing lubricated for life. 2-201 timber doors, vertical and lateral adjustment. 2-203 top plate fixing for timber doors, vertical adjustments. 2-207 metal doors, vertical adjustment. 2-207-10 Metal door hanger designed for use with hollow tubular frame sections up to 80mm deep.

### TRACK

2-16 (1.6mm) Galvanised steel to BS EN 10142. Lengths 1.8m to 6.0m.

### TRACK BRACKETS

Steel and malleable iron. See drawing and full range pages 3-4

### DOOR GUIDES

44-310 from 35mm to 44mm timber doors. 44-315 for metal doors.

### FLOOR CHANNEL

44-1 Galvanised Steel. Lugs available for concrete also shoes for joints. Lengths 1.8m to 4.0m.

### FURNITURE

A range of door furniture and locking arrangements is available.

### DOOR STOPS

Placed at mid-height of doors.

### FINISHES

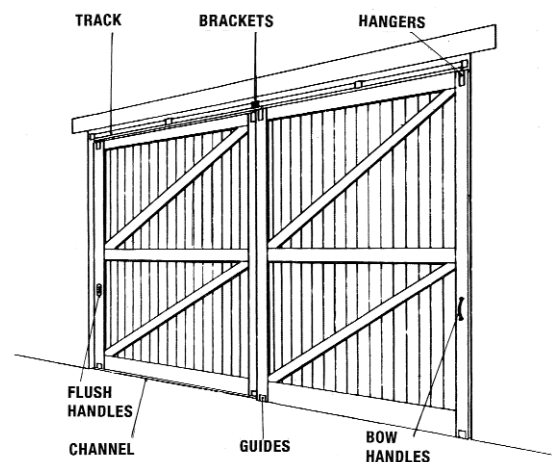
Track and hanger aprons galvanised; brackets and furniture plated.

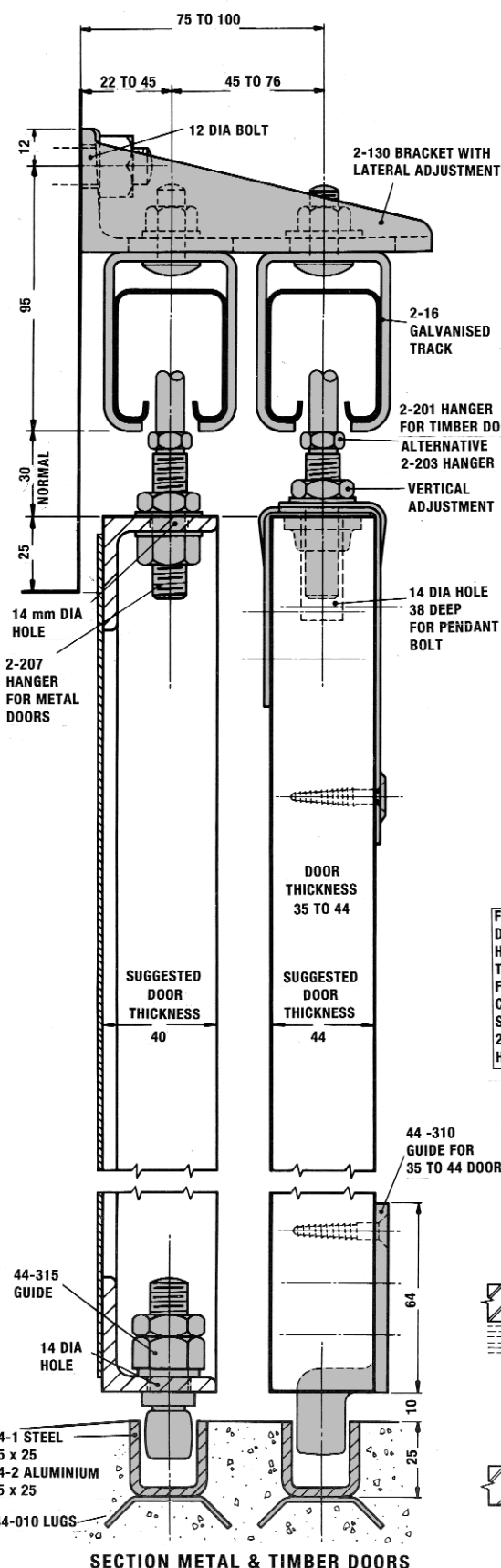
## EXAMPLE

**QUANTITIES FOR A TWO LEAF TIMBER DOOR SLIDING WITHIN OPENING: Opening width 3.6m x 2.1m high. Each leaf 44mm thick, weight 90kg.**

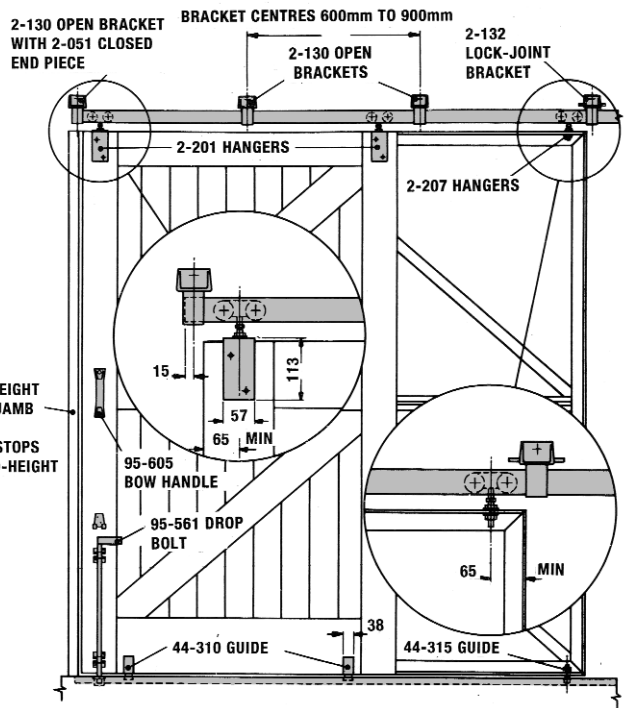
### A TYPICAL BILL OF QUANTITIES

ITEM				
A	2-16	Track, 4 x 1.8m	7.2	LIN.M
B	2-130	Brackets, open, side fixing	4	NO.
C	2-051	Closed end pieces (pair)	2	NO.
D	2-132	Brackets, Lock-joint, side fixing	1	NO.
E		Bolts for brackets (by others)	5	NO.
F	2-201	Hangers, ball bearing & screws (pair)	2	NO.
G	44-310	Bottom guides and screws	4	NO.
H	44-1	Steel floor channel 4 x 1.8m	7.2	LIN.M
J	44-010	Channel lugs (pack)	4	NO.
K	44-011	Channel connecting shoe	2	NO.
L	95-605	Bow handle and screws	2	NO.
M	95-617	Flush handle and screws	2	NO.
N		Locking arrangements		
O		Door stops		



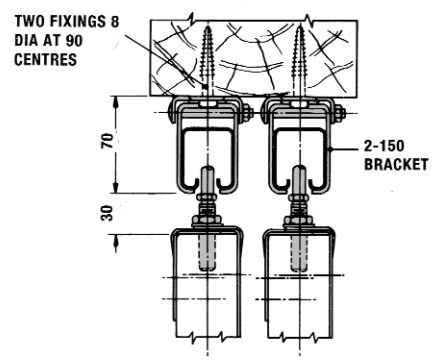


STANDARD TRACK LENGTHS						
1.8	2.1	2.4	3.0	4.0	5.0	6.0 METRES

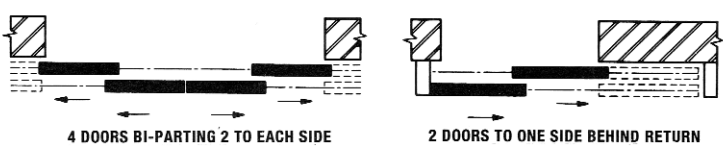


ELEVATION TIMBER & METAL DOORS

FOR METAL DOORS WITH HOLLOW TUBULAR FRAME CONSTRUCTION SPECIFY 2-207-10 HANGERS



ALTERNATIVE HEAD SECTION-SOFFIT FIXING ARRANGEMENT



TYPICAL ARRANGEMENTS

# Straightaway 320 Sliding Door Gear

## FOR DOORS ON SINGLE TRACKS

### APPLICATION

Top hung straight sliding doors on single runs of track. For factories, garages, warehouses etc.

### RANGE

Track size	3-20
Maximum door weight	400kg (880 lb)
Maximum door height	5.0m (16ft)

Consider wind pressure in exposed positions, if in doubt consult gear makers. Timber door thickness 44mm to 57mm. Metal door thickness 50mm.

### DOOR CONSTRUCTION

Timber doors usually framed, ledged and braced. Stiles should be a minimum of 125mm to accommodate hanger aprons. Metal doors usually angle framed or hollow tubular sections, sheeted one or both sides. Ensure adequate bracing. Weatherhoods are recommended on external doors.

### FIXING

Track brackets usually side fixing. Floor channel set flush and guides normal, but stay rollers or floor guides are an alternative. All hangers have vertical adjustment.

### HANGERS

All steel, ball bearing lubricated for life. 3-201 timber doors, vertical and lateral adjustment. 3-207 metal doors, vertical adjustment. 3-207-10 Metal door hangers designed for use with hollow tubular frame sections up to 90mm deep.

### TRACK

Galvanised steel to BS EN 10142. 3-20 (2.0mm). Lengths 1.8m to 6.0m. See range for capacities.

### TRACK BRACKETS

Steel. See drawing and full range details pages 3-4.

### DOOR GUIDES

45-311 for 44mm to 57mm timber doors. 45-315 for metal doors.

### FLOOR CHANNEL

45-1 Galvanised Steel Length 1.8m to 3.0m.

### WEATHERHOODS

3-701 Galvanised steel to BS EN 10142. Length 2.4m. 3-703 end caps.

### FURNITURE

A range of door furniture and locking arrangements is available.

### DOOR STOPS

97-711 side fixing at mid-height of door.

### FINISHES

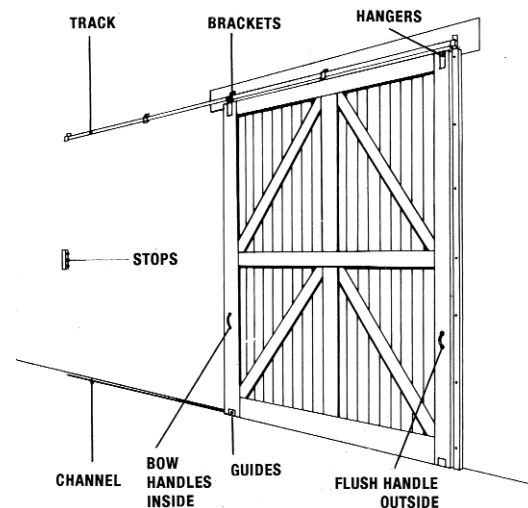
Track and hanger aprons galvanised; brackets and furniture plated.

## EXAMPLE

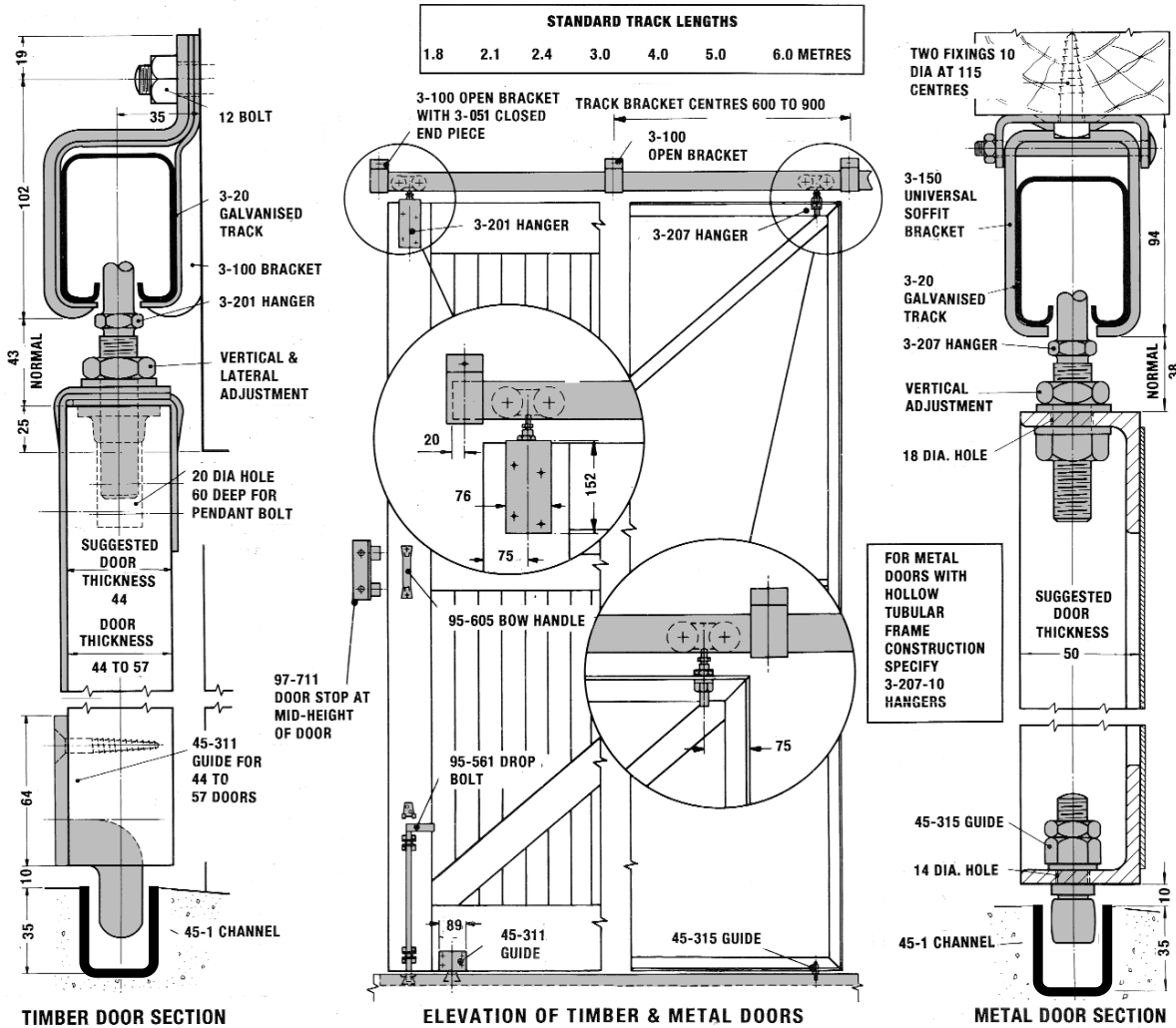
**QUANTITIES FOR A SINGLE TIMBER SLIDING DOOR**  
1.8m Wide x 2.7m high x 44mm thick, weight 225kg.

### A TYPICAL BILL OF QUANTITIES

ITEM				
A	3-20	Track, 2 x 1.8m	3.6	LIN.M
B	3-100	Brackets, open, side fixing	5	NO.
C	3-051	Closed end pieces	2	NO.
D	3-002	Lock joint plate	1	NO.
E		Bolts for brackets (by others)	5	NO.
F	3-201	Hangers, ball bearing & screws (pair)	1	NO.
G	45-311	Bottom guides and screws	2	NO.
H	45-1	Steel floor channel 2 x 1.8m	3.6	LIN.M
J	44-010	Channel lugs (pack)	2	NO.
K	44-011	Channel connecting shoe	1	NO.
L	95-605	Bow handle and screws	1	NO.
M	95-617	Flush handle and screws	1	NO.
N	95-561	Drop bolt and screws	1	NO.
O	97-711	Door stop	1	NO.
P		Locking arrangements		
		IF EXTERNAL DOOR		
Q	3-701	Weatherhood 2 x 2.4m	4.8	LIN.M
R	3-703	Weatherhood end caps	2	NO.



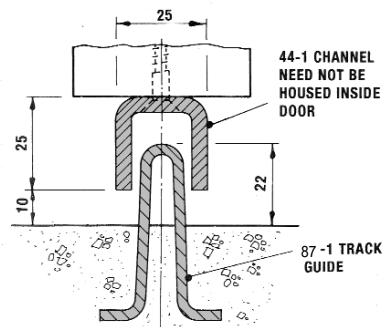
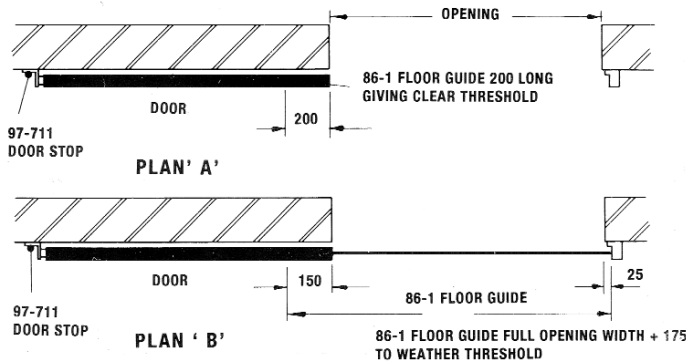
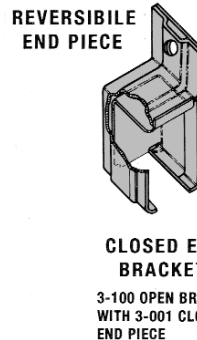
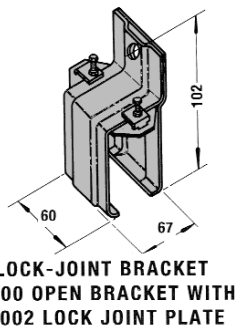
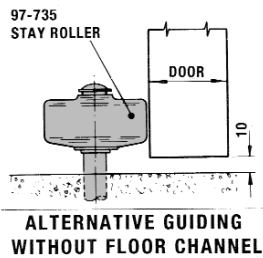




TIMBER DOOR SECTION

ELEVATION OF TIMBER & METAL DOORS

METAL DOOR SECTION



# Straightaway 320 Sliding Door Gear

## FOR DOORS ON DOUBLE PARALLEL TRACKS

### APPLICATION

Top hung parallel straight sliding doors on multiple runs of track. For factories, garages, warehouses etc.

### RANGE

Track size	3-20
Maximum door weight	225kg (500 lb)
Maximum door height	3.3m (11ft)

Single track capacities, as shown on page 12, apply to doors operating on double or multiple track runs supported by individual soffit fixing brackets. Consider wind pressure in exposed positions, if in doubt consult gear makers. Timber door thickness 44mm to 57mm. Metal door thickness 50mm.

### DOOR CONSTRUCTION

Timber doors usually framed, ledged and braced. Stiles should be a minimum of 125mm to accommodate hanger aprons. Metal doors usually angle framed or hollow tubular sections, sheeted one or both sides. Ensure adequate bracing.

### FIXING

Track brackets usually side fixing. Floor channel set flush and guides normal. All hangers have vertical adjustment.

### HANGERS

All steel, ball bearing lubricated for life. 3-201 timber doors, vertical and lateral adjustment. 3-207 metal doors, vertical adjustment. 3-207-10 Metal door hangers designed for use with hollow tubular frame sections up to 90mm deep.

### TRACK

Galvanised steel to BS EN 10142. 3-20 (2.0mm). Lengths 1.8m to 6.0m. See range for capacities.

### TRACK BRACKETS

Steel and malleable iron. See drawing and full range details pages 3-4.

### DOOR GUIDES

45-311 for 44mm to 57mm timber doors. 45-315 for metal doors.

### FLOOR CHANNEL

45-1 Galvanised Steel. Lengths 1.8m to 3.0m.

### FURNITURE

A range of door furniture and locking arrangements is available.

### DOOR STOPS

Placed at mid-height of doors.

### FINISHES

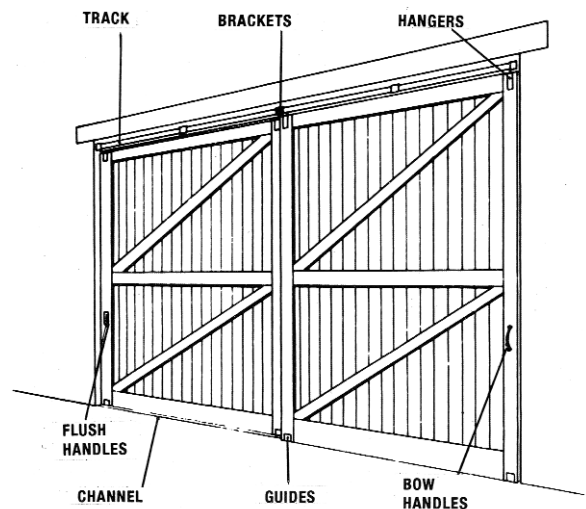
Track and hanger aprons galvanised; brackets and furniture plated.

## EXAMPLE

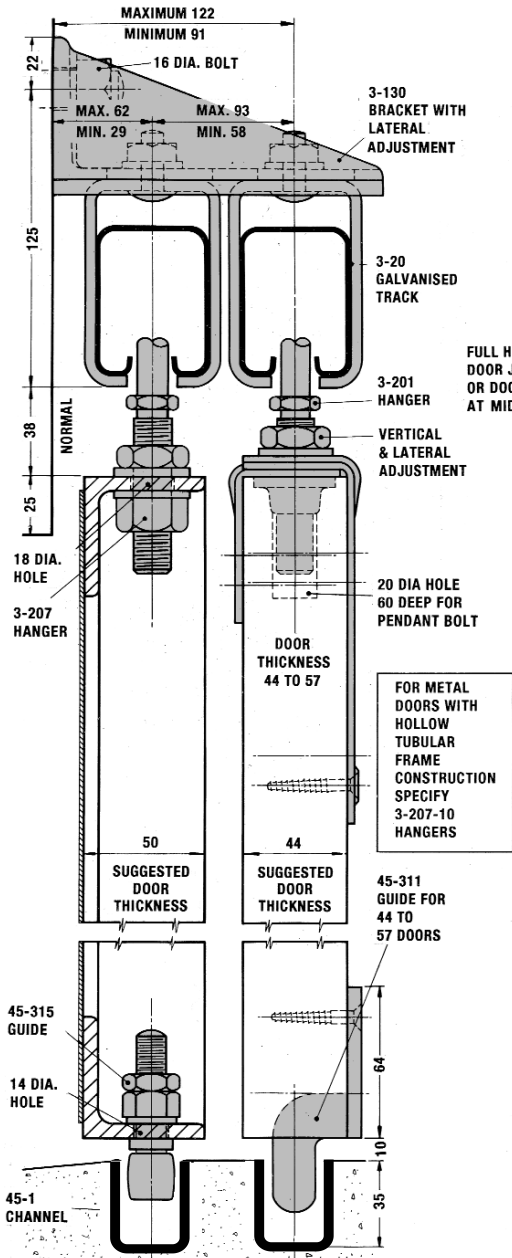
**QUANTITIES FOR A TWO LEAF TIMBER DOOR SLIDING WITHIN OPENING: Opening width 3.6m x 2.7m high. Each leaf 44mm thick, weight 145kg.**

### A TYPICAL BILL OF QUANTITIES

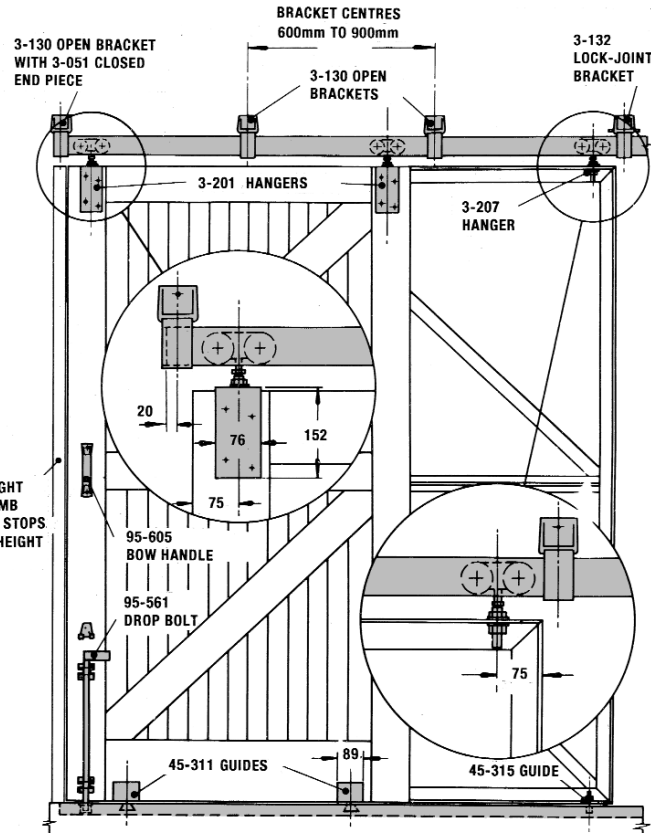
ITEM				
A	3-20	Track, 4 x 1.8m	7.2	LIN.M
B	3-130	Brackets, open, side fixing	4	NO.
C	3-051	Closed end pieces	4	NO.
D	3-132	Brackets, lock-joint, side fixing	1	NO.
E		Bolts for brackets (by others)	5	NO.
F	3-201	Hangers, ball bearing & screws (pair)	2	NO.
G	45-311	Bottom guides and screws	4	NO.
H	45-1	Steel floor channel 4 x 1.8m	7.2	LIN.M
J	44-010	Channel lugs (pack)	4	NO.
K	44-011	Channel connecting shoes	3	NO.
L	95-605	Bow handles and screws	2	NO.
M	95-617	Flush handles and screws	2	NO.
N		Locking arrangements		
O		Door stops		



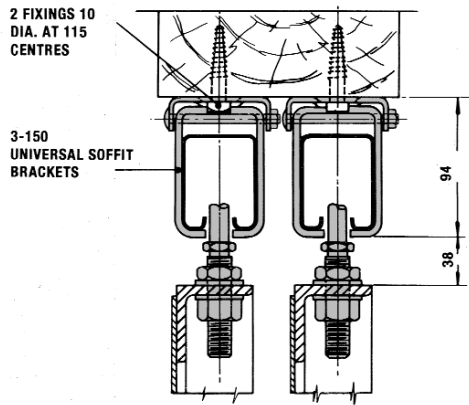
STANDARD TRACK LENGTHS						
1.8	2.1	2.4	3.0	4.0	5.0	6.0 METRES



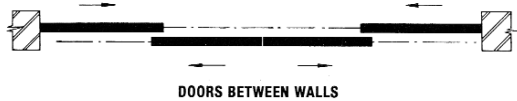
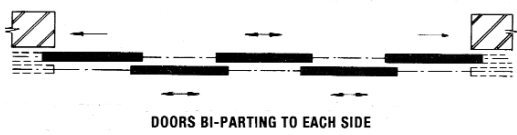
SECTION METAL & TIMBER DOORS



ELEVATION TIMBER & METAL DOORS



ALTERNATIVE SOFFIT FIXING HEAD SECTION



TYPICAL ARRANGEMENTS

# Straightaway 325 Sliding Door Gear

## FOR DOORS ON SINGLE TRACKS

### APPLICATION

Top hung straight sliding doors on single runs of track. For factories, garages, warehouses etc.

### RANGE

Track size 3-25

Maximum door weight 600kg (1320 lb) Maximum door height 6.0m (19ft) Consider wind pressure in exposed positions, if in doubt consult gear makers. Timber door thickness 44mm to 57mm. Metal door thickness 50mm.

### DOOR CONSTRUCTION

Timber doors usually framed, ledged and braced. Stiles should be a minimum of 125mm to accommodate hanger aprons. Metal doors usually angle framed or hollow tubular sections, sheeted one or both sides. Ensure adequate bracing. Weatherhoods are recommended on external doors.

### FIXING

Track brackets usually side fixing. Floor channel set flush and guides normal but stay rollers or floor guides are an alternative. All hangers have vertical adjustment.

### HANGERS

All steel, ball bearing lubricated for life. 3-202 timber doors, vertical and lateral adjustment. 3-207 metal doors, vertical adjustment. 3-207-10 Metal door hanger designed for use with hollow tubular frame sections up to 90mm deep.

### TRACK

Galvanised steel to BS EN 10142. 3-25 (2.5mm). Lengths 1.8m to 6.0m

### TRACK BRACKETS

Aluminium. See drawing and full range details pages 3-4.

### DOOR GUIDES

45-311 for 44mm to 57mm timber doors. 45-315 for metal doors.

### FLOOR CHANNEL

45-1 Galvanised Steel. Lengths 1.8m to 3.0m.

### WEATHERHOODS

3-701 Galvanised steel to BS EN 10142. Length 2.4m. 3-703 end caps.

### FURNITURE

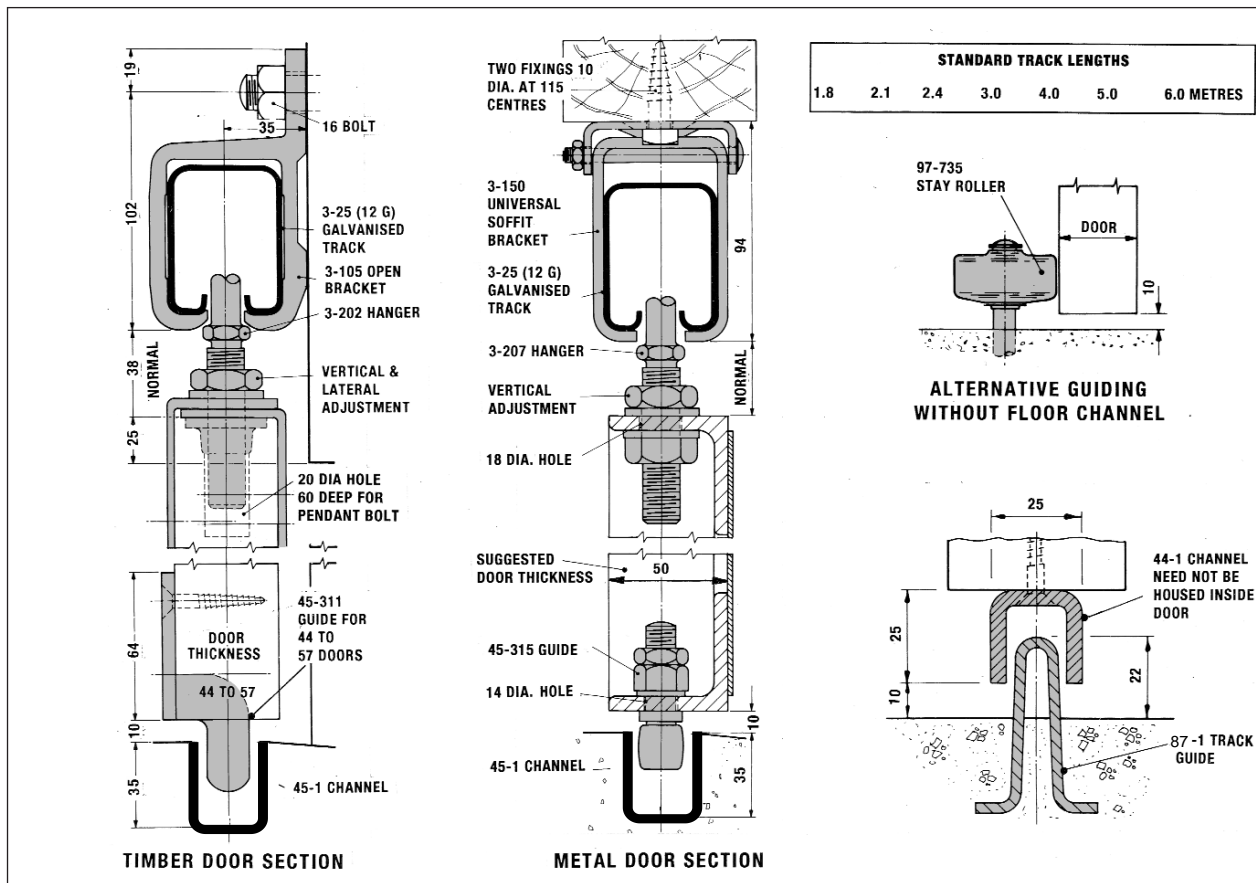
A range of door furniture and locking arrangements is available.

### DOOR STOPS

97-711 Side fixing at mid-height of door.

### FINISHES

Track galvanised; hanger aprons, brackets and furniture plated.

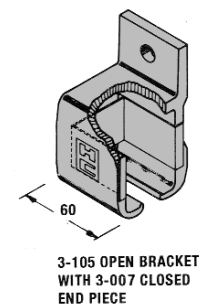
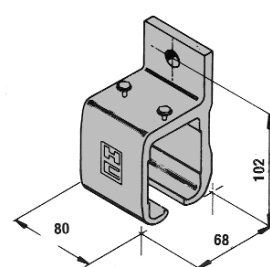
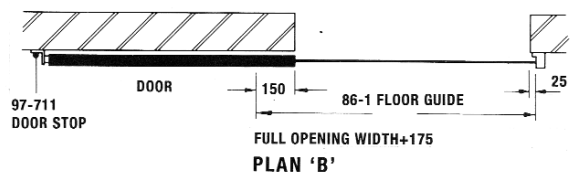
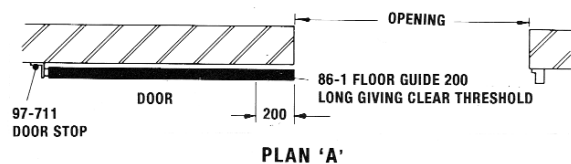
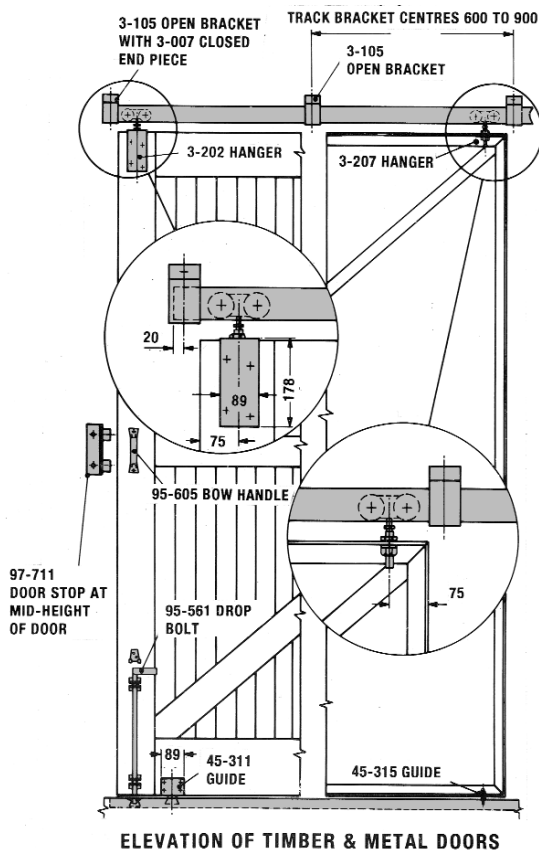
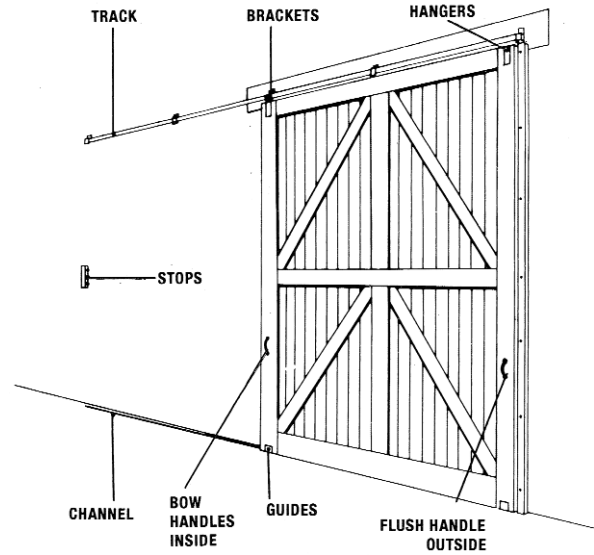


## EXAMPLE

QUANTITIES FOR A SINGLE TIMBER SLIDING DOOR 2.2m wide x 3.5mm high x44mm thick, weight 500kg.

### A TYPICAL BILL OF QUANTITIES

ITEM				
A	3-25	Track, 1 x 2.4m, 1 x 2.1m	4.5	LIN.M
B	3-105	Brackets, open, side fixing	6	NO.
C	3-007	Closed end pieces	2	NO.
D	3-106	Lock joint bracket	1	NO.
E		Bolts for brackets (by others)	7	NO.
F	3-202	Hangers, ball bearing & screws (pair)	1	NO.
G	45-311	Bottom guides and screws	2	NO.
H	45-1	Steel floor channel 1 x 2.4m, 1 x 2.1m	4.5	LIN.M
J	44-010	Channel lugs (pack)	2	NO.
K	44-011	Channel connecting shoe	1	NO.
L	95-605	Bow handles and screws	2	NO.
M	95-617	Flush handle and screws	1	NO.
N	95-561	Drop bolt and screws	1	NO.
O	97-711	Door stop	1	NO.
P		Locking arrangements		
		IF EXTERNAL DOOR		
Q	3-701	Weatherhood 2 x 2.4m	4.8	LIN.M
R	3-703	Weatherhood end caps	2	NO.



# Straightaway 325 Sliding Door Gear

## FOR DOORS ON DOUBLE PARALLEL TRACKS

### APPLICATION

Top hung parallel straight sliding doors on multiple runs of track. For factories, garages, warehouses etc.

### RANGE

Track size	3-25
Maximum door weight	365kg (800 lb)
Maximum door height	3.6m (12ft)

Single track capacities, as shown on page 20, apply to doors operating on double or multiple track runs supported by individual soffit fixing brackets. Consider wind pressure in exposed positions, if in doubt consult gear makers. Timber door thickness 44mm to 57mm. Metal door thickness 50mm.

### DOOR CONSTRUCTION

Timber doors usually framed, edged and braced. Stiles should be a minimum of 125mm to accommodate hanger aprons. Metal doors usually angle framed or hollow tubular sections, sheeted one or both sides. Ensure adequate bracing.

### FIXING

Track brackets usually side fixing. Floor channel set flush and guides normal. All hangers have vertical adjustment.

### HANGERS

All steel, ball bearing lubricated for life. 3-202 timber doors, vertical and lateral adjustment. 3-207 metal doors, vertical adjustment. 3-207-10 Metal door hanger designed for use with hollow tubular frame sections up to 90mm deep.

### TRACK

Galvanised steel to BS EN 10142. 3-25 (2.5mm). Lengths 1.8m to 6.0m. See range for capacities.

### TRACK BRACKETS

Steel and malleable iron. See drawing and full range details pages 3-4.

### DOOR GUIDES

45-311 for 44mm to 57mm timber doors. 45-315 for metal doors.

### FLOOR CHANNEL

45-1 Galvanised Steel. Lengths 1.8m to 3.0m.

### FURNITURE

A range of door furniture and locking arrangements is available.

### DOOR STOPS

Full height jambs preferred.

### FINISHES

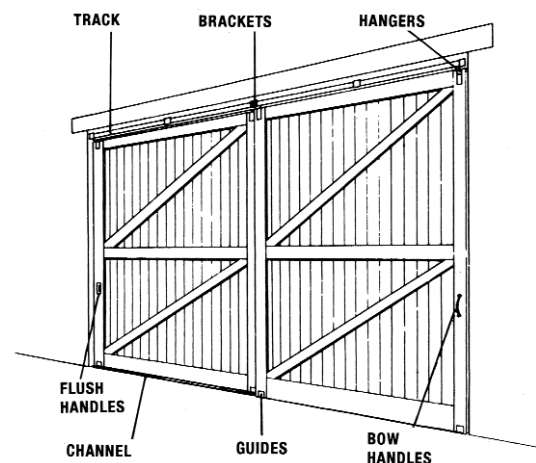
Track galvanised; hanger aprons, brackets and furniture plated.

## EXAMPLE

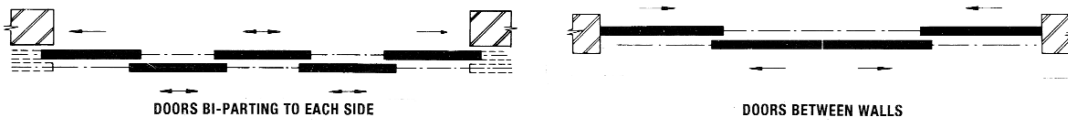
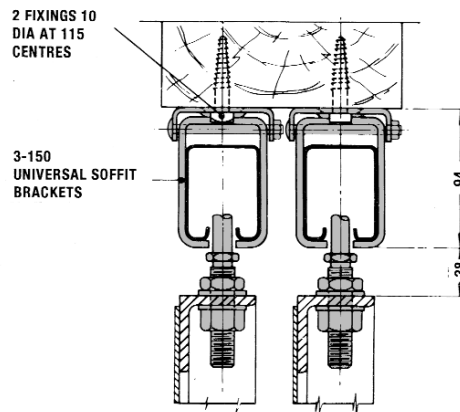
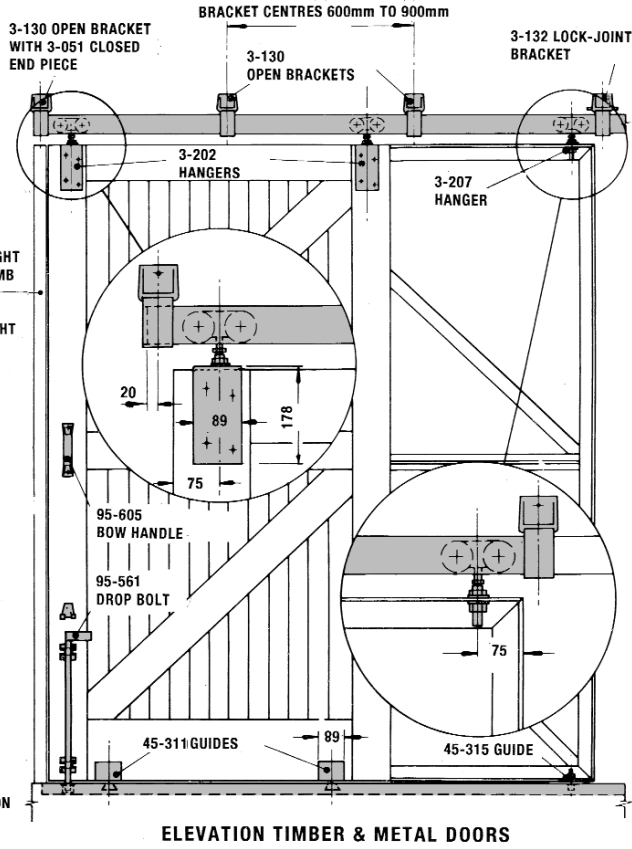
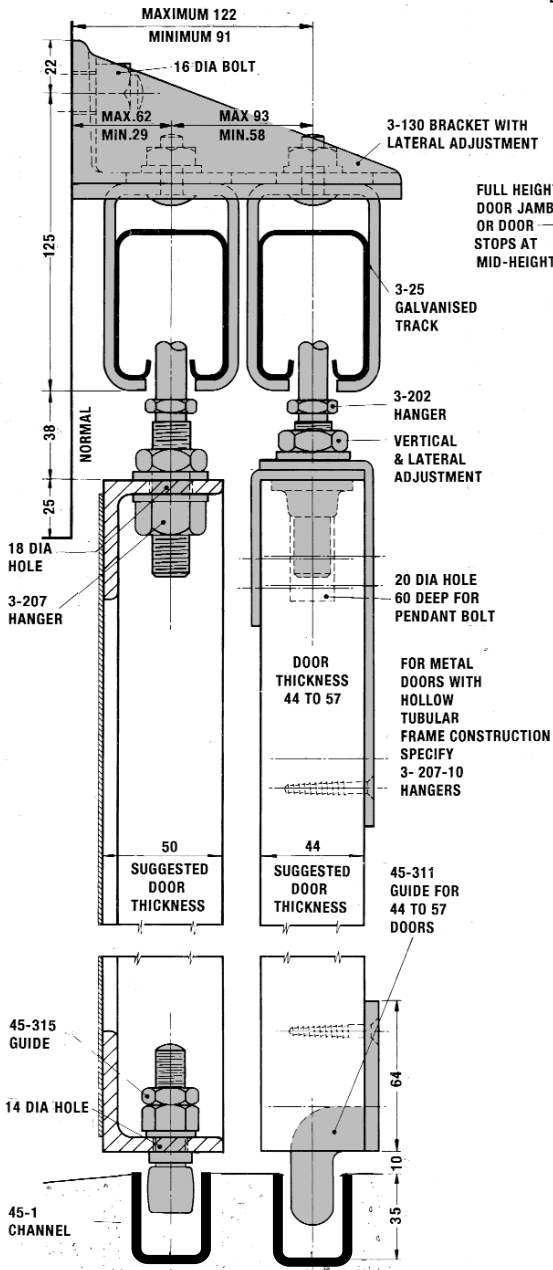
**QUANTITIES FOR A TWO LEAF TIMBER DOOR SLIDING WITHIN OPENING: Opening width 3.6m x 3.0m high. Each leaf 44mm thick, weight 305kg.**

### A TYPICAL BILL OF QUANTITIES

ITEM				
A	3-25	Track, 4 x 1.8m	7.2	LIN.M
B	3-130	Brackets, open, side fixing	4	NO
C	3-051	Closed end pieces	4	NO.
D	3-132	Brackets, lock joint, side fixing	1	NO.
E		Bolts for brackets (by others)	5	NO.
F	3-202	Hangers, ball bearing & screws (pair)	2	NO.
G	45-311	Bottom guides and screws	4	NO.
H	45-1	Steel floor channel 4 x 1.8m	7.2	LIN.M
J	44-010	Channel lugs (pack)	4	NO.
J	44-011	Channel connecting shoes	3	NO.
K	95-605	Bow handle and screws	2	NO.
L	95-617	Flush handles and screws	2	NO.
M		Locking arrangements		
N		Door Stops		



STANDARD TRACK LENGTHS							
1.8	2.1	2.4	3.0	4.0	5.0	6.0	METRES



# Straightaway 430 Sliding Door Gear

## FOR DOORS ON SINGLE AND DOUBLE PARALLEL TRACKS

### APPLICATION

Top hung straight sliding doors for factories, garages, warehouses, farms etc. Single or multiple runs of track.

### RANGE

	Doors on Single Track	Doors on Double Tracks
Maximum weight	1000kg (2200lb)	550kg (1200 lb)
Maximum height	7.0m (23ft)	4.2m (14ft)

Single track capacities apply to doors operating on double or multiple track runs supported by individual soffit fixing brackets. Consider wind pressure in exposed positions, if in doubt consult gear makers.

Timber door thickness 57mm to 70mm. Metal door thickness 50mm.

### DOOR CONSTRUCTION

Timber doors usually framed, ledged and braced. Stiles should be a minimum of 175mm to accommodate hanger aprons. Metal doors usually angle framed or hollow tubular sections, sheeted one or both sides. Ensure adequate bracing.

### HANGERS

All steel, ball bearing lubricated for life. 4-201 timber doors, vertical and lateral adjustment. 4-207 metal doors, vertical adjustment. 4-207-10 metal door designed for use with hollow tubular framed sections up to 100mm deep

### TRACK

4-30 (3.0mm) galvanised steel to BS EN 10142. Lengths 1.8m to 3.0m.

### TRACK BRACKETS

Steel and malleable iron. See drawing and full range details pages 3-4.

### DOOR GUIDES

45-311 for 57 to 70mm timber doors. 45-316 for metal doors.

### FLOOR CHANNEL

45-1 Galvanised Steel. Lengths 1.8m to 3.0m.

### FURNITURE

A range of door furniture and locking arrangements is available.

### DOOR STOPS

Placed at mid-height of doors.

### FINISHES

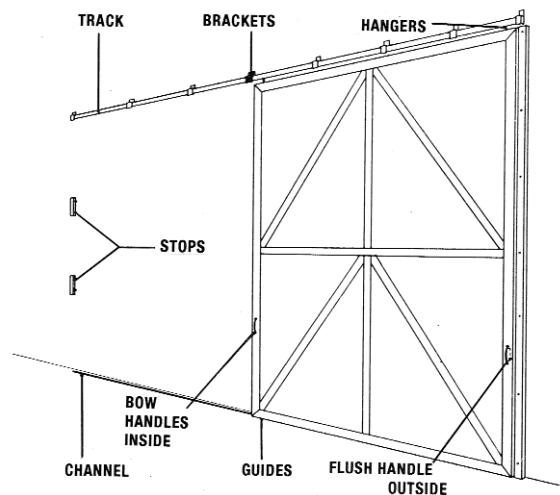
Track galvanised, hangers, brackets and furniture plated.

## EXAMPLE

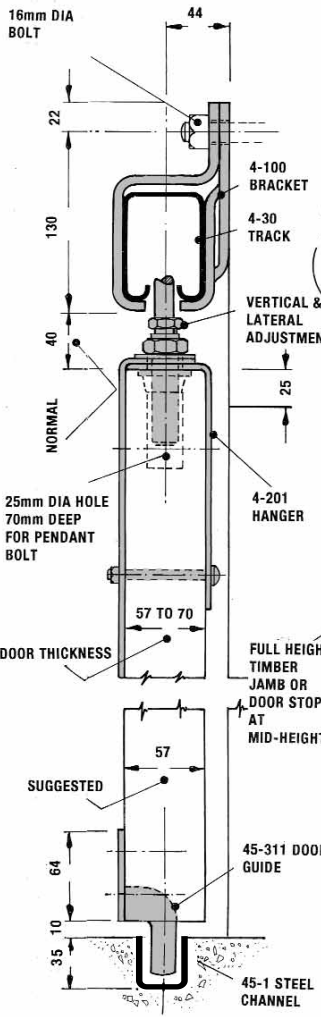
QUANTITIES FOR A SINGLE METAL SLIDING DOOR 2.7m wide x 4.5m high x 50mm thick, weight 700kg.

### A TYPICAL BILL OF QUANTITIES

ITEM				
A	4-30	Track, 1 x 3.0m, 1 x 2.4m	5.4	LIN.M
B	4-100	Brackets, open, side fixing	7	NO.
C	4-051	Closed end pieces	2	NO.
D	4-102	Brackets, lock joint, side fixing	1	NO.
E		Bolts for brackets (by others)	8	NO.
F	4-207	Hangers, ball bearing (pair)	1	NO.
G	45-316	Bottom guides - Heavy duty	2	NO.
H	45-1	Steel floor channel		
		1 x 3.0m, 1 x 2.4m	5.4	LIN M
J	44-010	Channel lugs (pack)	2	NO.
K	44-011	Channel connecting shoe	1	NO.
L	95-607	Bow handle and screws	2	NO.
M	95-618	Flush handle and screws	1	NO.
N	97-712	Door stops	2	NO.
O		Locking arrangements		

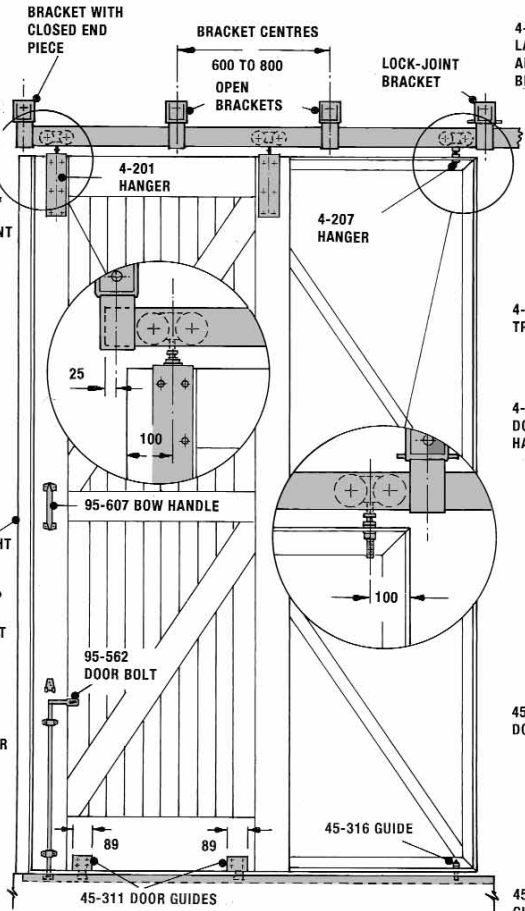




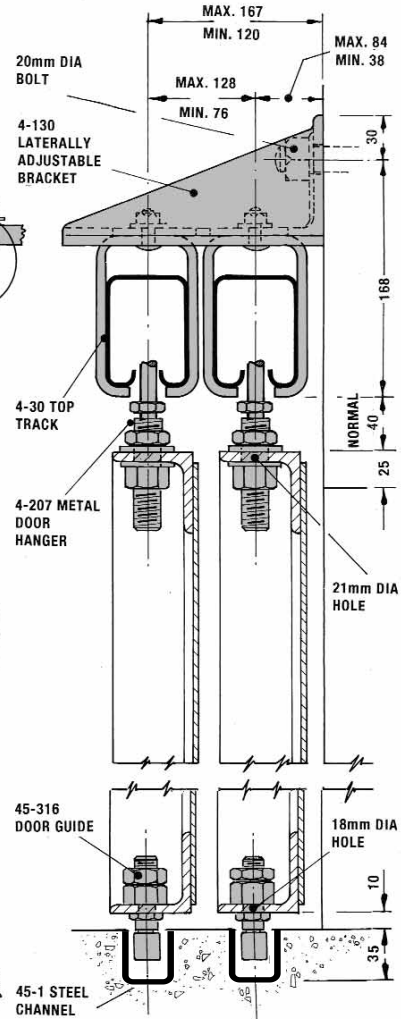


SECTION THROUGH OPENING TIMBER DOOR-SINGLE TRACK

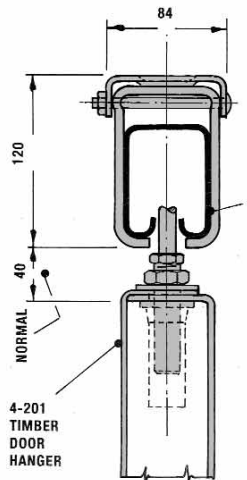
STANDARD TRACK LENGTHS				
1.8	2.1	2.4	3.0	METRES



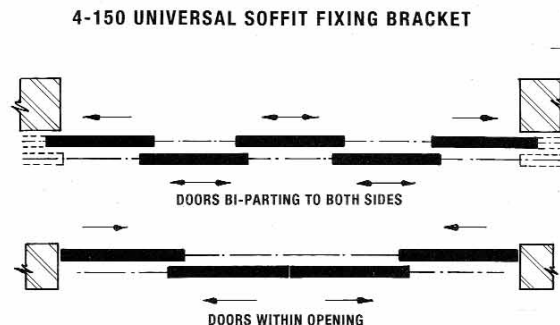
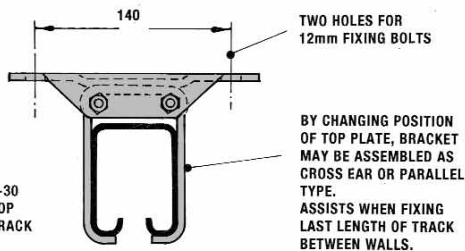
ELEVATION TIMBER & METAL DOORS



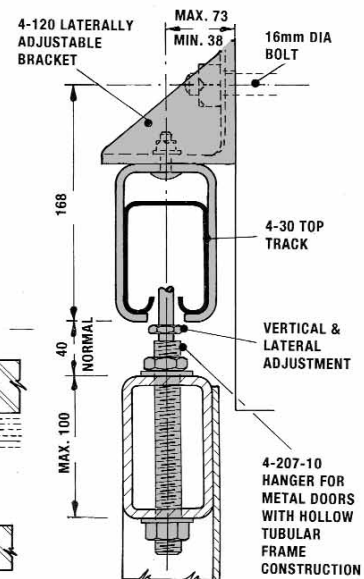
SECTION THROUGH OPENING METAL DOORS-DOUBLE TRACK



ALTERNATIVE HEAD SECTION - SOFFIT FIXING



TYPICAL DOOR ARRANGEMENTS



ALTERNATIVE HEAD SECTION WITH METAL DOOR HANGER FOR HOLLOW TUBULAR FRAME CONSTRUCTION

# Straightaway 438 Sliding Door Gear

## FOR DOORS ON SINGLE TRACKS

### APPLICATION

Top hung heavy straight sliding doors for port installations, factories, garages, warehouses etc. Single runs of track normal, for multiple runs of track consult gear makers.

### RANGE

Maximum door weight 1500kg (3300lb)  
Maximum door height 8.0m (26ft)

Consider wind pressure in exposed positions, if in doubt consult gear makers. Timber door thickness 57mm to 70mm, metal door thickness 75mm.

### DOOR CONSTRUCTION

Timber doors usually framed, ledged and braced. Top rails should be a minimum of 300mm to accommodate hanger aprons. Metal doors usually angle framed sheeted one or both sides. Ensure adequate bracing.

### FIXING

Track brackets usually side fixing. Floor channel set flush. All hangers have vertical adjustment. Special consideration must be given to stopping heavy doors.

### HANGERS

All steel, ball bearing lubricated for life. 4-204 timber doors, vertical and lateral adjustment. 4-208 metal doors, vertical adjustment.

### TRACK

4-30 (3.0mm) galvanised steel to BS EN 10142. Lengths 1.8m to 3.0m.

### TRACK BRACKETS

Steel and malleable iron. See drawing and full range details pages 3-4.

### DOOR GUIDES

45-311 for timber doors. 45-316 for metal doors.

### FLOOR CHANNEL

45-1 Galvanised Steel. Lengths 1.8m to 3.0m.

### FURNITURE

A range of door furniture and locking arrangements is available.

### DOOR STOPS

Heavy duty.

### FINISHES

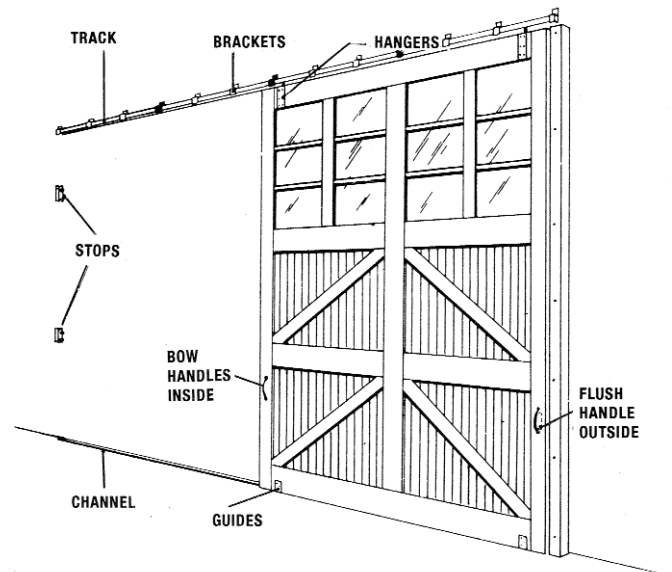
Track galvanised, hangers, brackets and furniture plated.

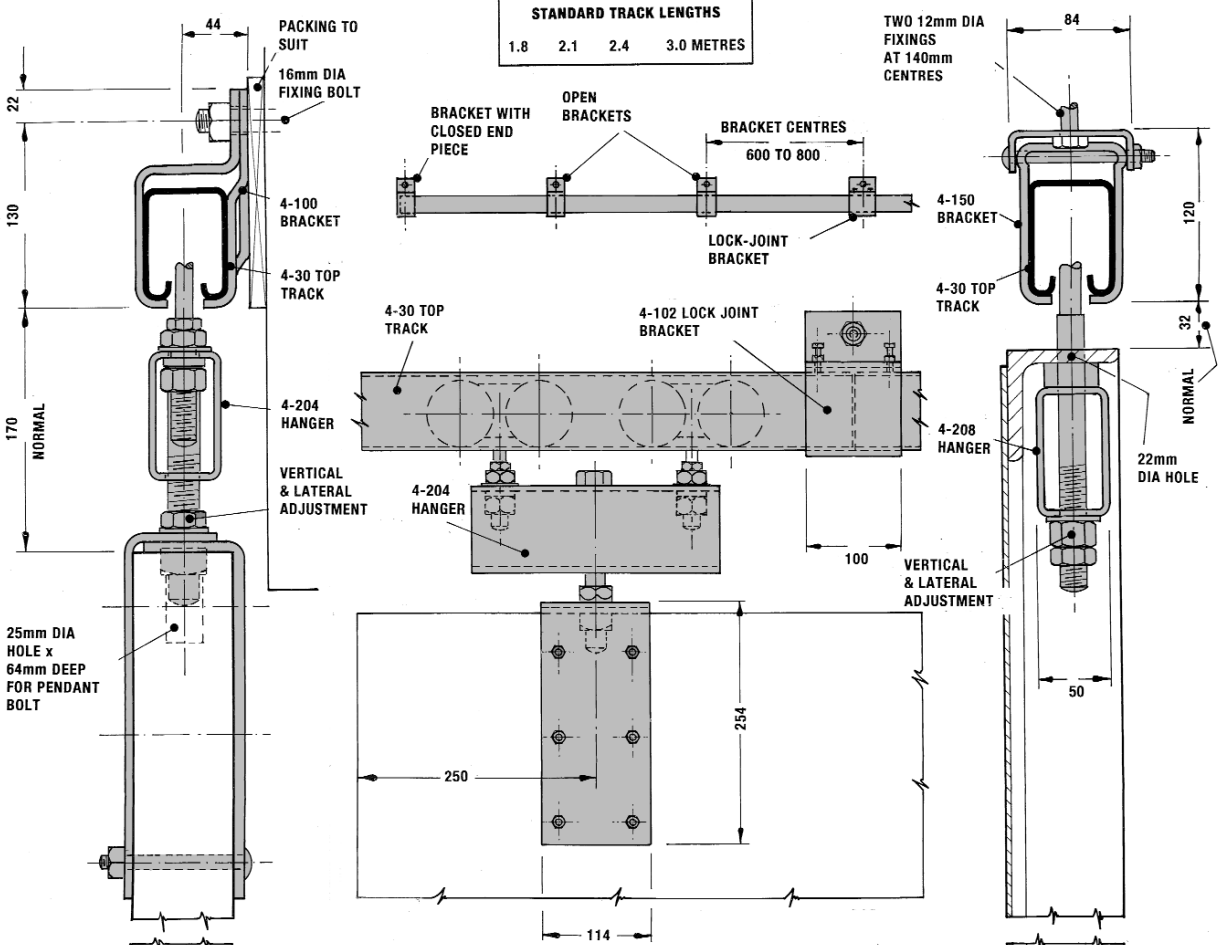
## EXAMPLE

QUANTITIES FOR A SINGLE TIMBER SLIDING DOOR 4.2m wide x 6m high x 70mm thick, weight 1,100kg

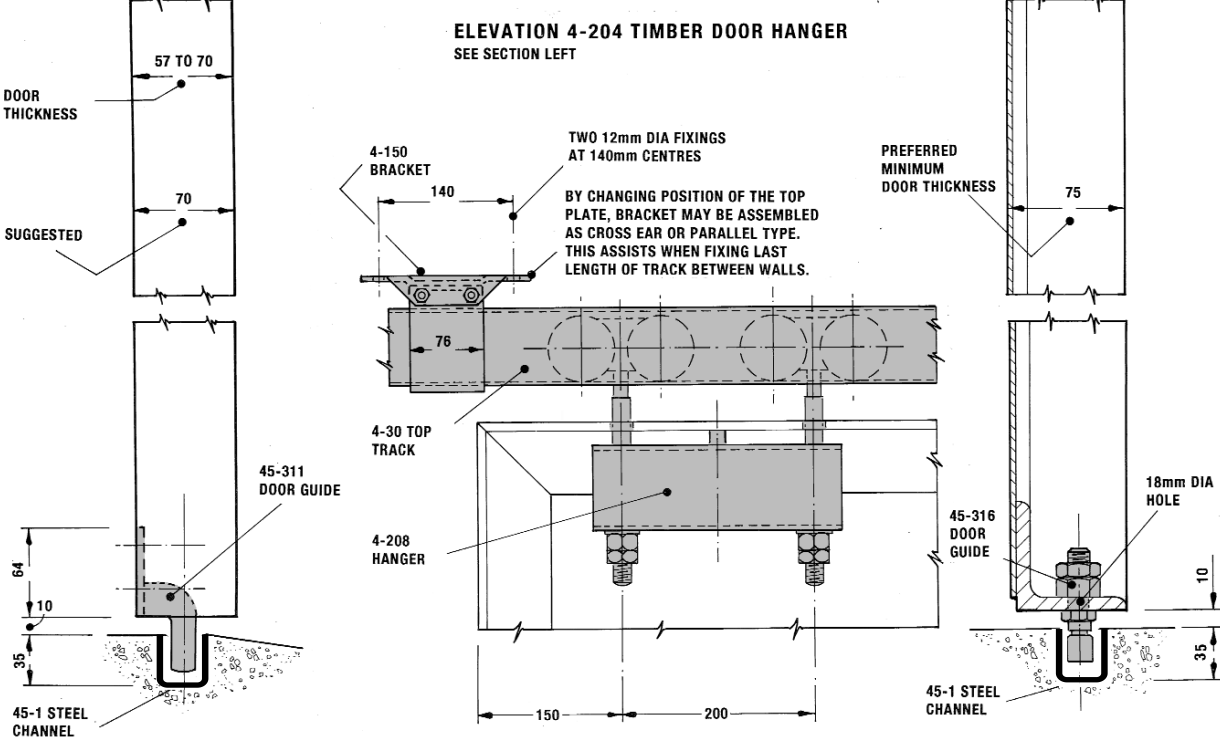
### A TYPICAL BILL OF QUANTITIES

ITEM				
A	4-30	Track, 1 x 2.4m, 2 x 3.0m	8.4	LIN.M
B	4-100	Brackets, open, side fixing	10	NO.
C	4-051	Closed end pieces	2	NO.
D	4-102	Bracket, lock joint, side fixing	2	NO.
E		Bolts for brackets (by others)	12	NO.
F	4-204	Hangers, ball bearing	2	NO.
G	45-311	Bottom guides and screws	2	NO.
H	45-1	Steel floor channel		
		2 x 3.0m, 1 x 2.4m	8.4	LIN.M
J	44-010	Channel lugs (pack)	3	NO.
K	44-011	Channel connecting shoe	2	NO.
L	95-607	Bow handle and screws	2	NO.
M	95-618	Flush handle and screws	1	NO.
N	97-712	Door stops	2	NO.
O		Locking arrangements		





**ELEVATION 4-204 TIMBER DOOR HANGER**  
SEE SECTION LEFT



**ELEVATION 4-208 METAL DOOR HANGER**  
SEE SECTION RIGHT

**SECTION THROUGH OPENING TIMBER DOOR**

**SECTION THROUGH OPENING METAL DOOR**

# Straightaway 700 & 710 Bottom Rolling Door Gear

## FOR STRAIGHT SLIDING DOORS AND WINDOWS

### APPLICATION

Bottom rolling straight sliding doors, timber patio doors and windows. For residences, hotels, hospitals, etc.

### RANGE

Gear Type	700	710
Maximum door weight	115kg (250 lb)	180kg (400 lb)
Maximum door height	2.4m (8ft)	3.0m (10ft)

The area of a single sliding leaf should be related to all other factors.

### DOOR CONSTRUCTION

Door thickness 30 to 60mm, width one third height minimum, handle height three fifths from bottom for best results. The sliding panel when fully open should project a minimum of 65mm to avoid fingers becoming trapped between handle and fixed panel. Bottom rail should be of sufficient depth to house roller casing.

### FIXING

Top guide track soffit fixed. Floor tracks may be recessed or proud. Mortice for bottom rollers must fit tight around roller casing and weight of sliding door carried on top of casing above wheel.

## BOTTOM ROLLERS

70-402 Bottom roller for 66-1, 66-3 and 70-3 tracks. Die cast casings, nylon wheels with needle bearings.  
71-402 Bottom rollers for 70-3 track, die cast casing, steel wheel, ball bearings. Packed in pairs.

## BOTTOM TRACKS

66-1 steel, 66-3 and 70-4 Stainless Steel. Drilled and c/sk for woodscrews. Lengths 1.8m to 3.0m.

## TOP GUIDES

44-362 for 44-2 and 44-3 channel, aluminium rattleproof with woolpile. 7-362 for 7-20 track, twin wheels, rattleproof.

## TOP TRACK & CHANNEL

44-2 Aluminium or 44-3 Brass. 7-20 Steel track galvanised to BS EN 10142. Drilled and c/sk for woodscrews. Lengths 1.8m to 3.0m.

## FURNITURE

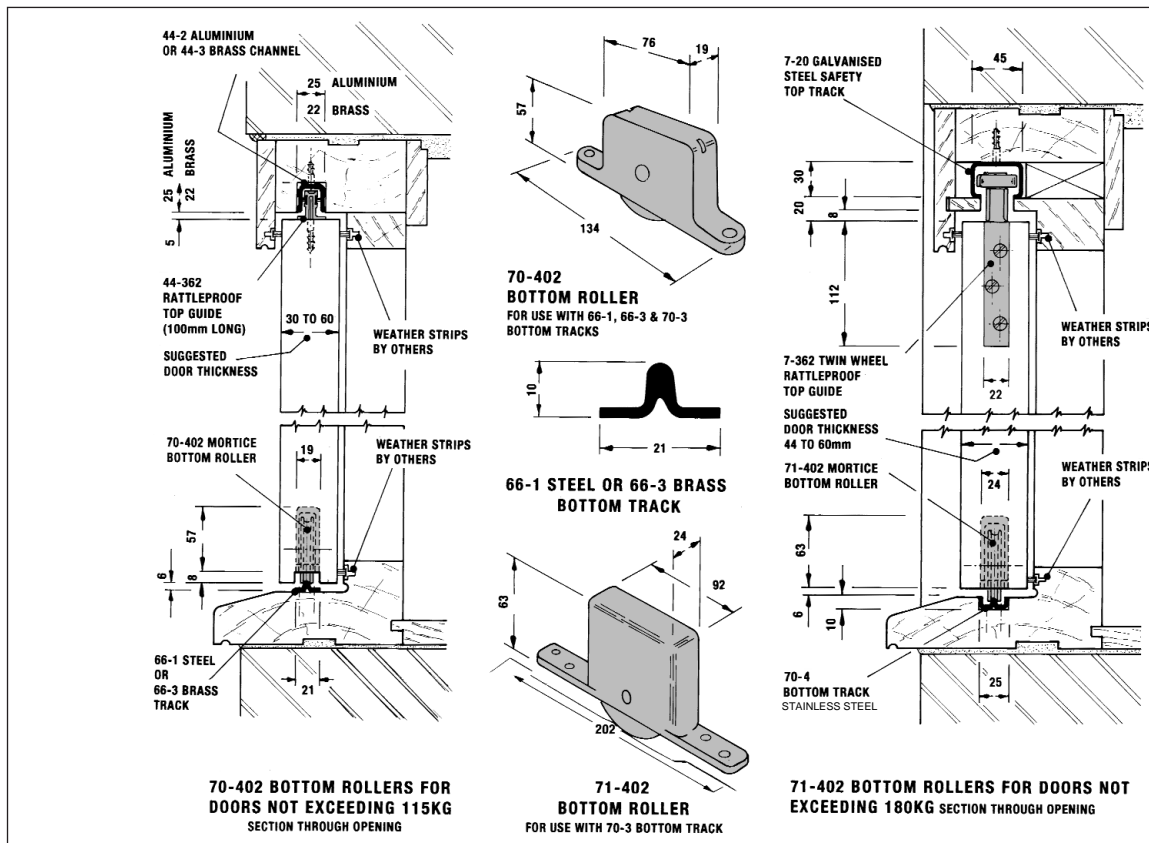
A range of door furniture is available.

## FINISHES

Rollers self-colour, tracks as above.

## DRAUGHT EXCLUDER

97-774 Brush Welt with aluminium retaining strip available in 2.4m lengths.

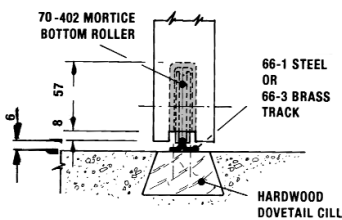


### EXAMPLE (Straightaway 710)

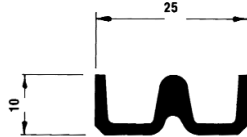
Quantities for 2 bi-parting timber doors in a 3m wide opening. Doors 2.1m high x 44mm thick, weight 150kg per door.

#### A TYPICAL BILL OF QUANTITIES

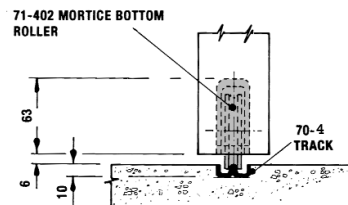
ITEM				
A	7-20	Top guide track	6	LIN.M
B	7-362	Top guides with screws	4	NO.
C	71-402	Bottom rollers with screws (pair)	2	PAIR
D	70-4	Bottom track	6	LIN.M
E	97-722	Rubber buffer	2	NO.
		Weather strips by others		



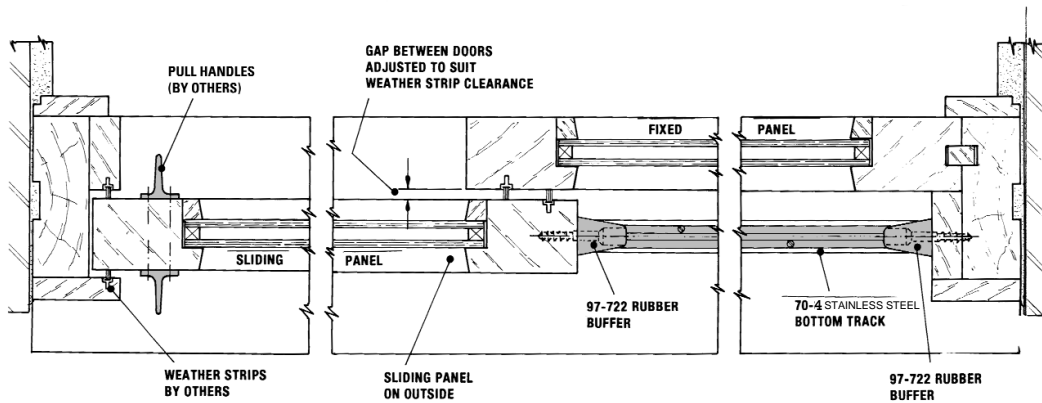
ALTERNATIVE ARRANGEMENT FOR  
66-1 OR 66-3 BOTTOM TRACK



70-4 STAINLESS STEEL  
BOTTOM TRACK



ALTERNATIVE ARRANGEMENT FOR  
70-4 STAINLESS STEEL  
BOTTOM TRACK



SECTIONAL PLAN  
ONE PANEL SLIDING & ONE PANEL FIXED

# Straightaway 720 Bottom Rolling Door Gear

## FOR DOORS ON SINGLE AND DOUBLE PARALLEL TRACKS

### APPLICATION

Bottom rolling straight sliding doors for car showrooms and large glass window installations where mortice rollers are needed. Single or multiple runs of tracks.

### RANGE

Maximum door weight 400kg (880 lb)  
Maximum door height 3.5m (11ft)

Consider wind pressure in exposed positions, if in doubt consult gear makers. Door thickness 44mm minimum.

### DOOR CONSTRUCTION

Timber doors only with deep bottom rails to accommodate mortice bottom rollers. Mortices should fit closely around roller housing. Door areas and glass sizes should be considered in relation to wind pressure and exposure.

### FIXING

Track brackets side or soffit fixed. Floor track is set flush. Lateral adjustment with double side fixed brackets.

### BOTTOM ROLLERS

72-402 Ball bearing, machined steel wheels, die cast casing. Packed in pairs. Self-colour finish.

### BOTTOM TRACK

72-3 Brass (Set flush only). Lengths 1.8m to 3.0m.

### TOP GUIDES

8-362 Rattleproof, twin neoprene wheels.

### TOP TRACK

8-25 Safety pattern, galvanised steel to BS EN 10142. Lengths 1.8m to 3.0m.

### TOP TRACK BRACKETS

Malleable iron and steel. See drawing and full range details on pages 3-4.

### FURNITURE

A range of door furniture and locking arrangements is available.

### DOOR STOPS

Must be positioned so that fingers cannot be trapped between doors on double runs.

### FINISHES

Top track galvanised; bottom rollers and brackets plated. Bottom track brass.

### DRAUGHT EXCLUDER

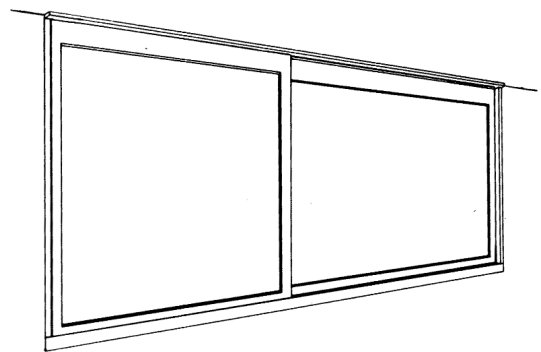
97-774 Brush Welt with aluminium retaining strip available in 2.4m lengths.

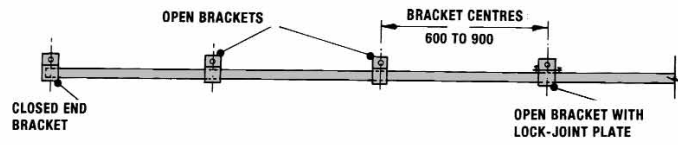
## EXAMPLE

Quantities for a two leaf framed door sliding within the opening. Opening 6m wide x 2.4m high. 2 doors on double track.

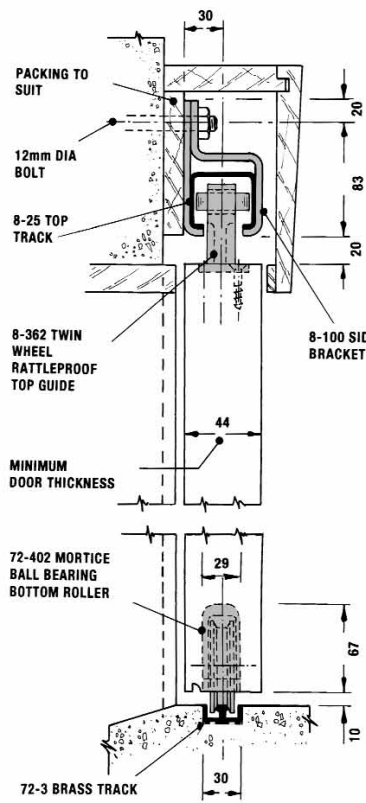
### A TYPICAL BILL OF QUANTITIES

ITEM				
A	8-25	Track 4 x 3.0m	12	LIN.M
B	8-150	Brackets, open, soffit fixing	16	NO.
C	8-051	Closed end piece	4	NO.
D	8-152	Brackets, lock joint, soffit fixing	2	NO.
E		Bolts for brackets (by others)	36	NO.
F	8-362	Twin wheel top guides & screws	4	NO.
G	72-402	Bottom rollers and screws (pair)	2	NO.
H	72-3	Brass bottom track 4 x 3.0m	12	LIN.M
J	95-617	Flush handles and screws	4	NO.
K		Door stops		
L		Locking arrangements		
M		Weatherstrips by others		

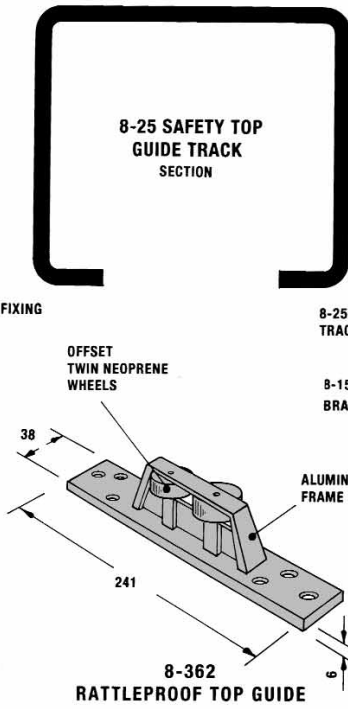




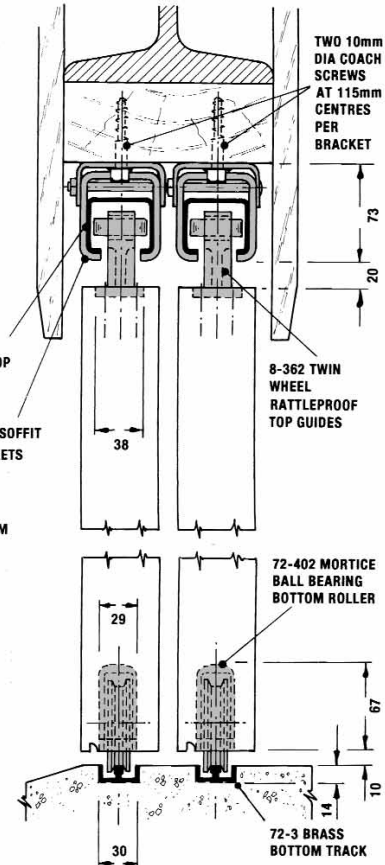
STANDARD TRACK LENGTHS			
1.8	2.1	2.4	3.0 METRES



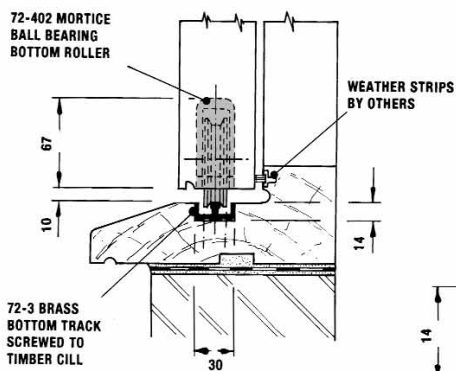
**SECTION THROUGH SINGLE DOOR-SIDE FIXED**



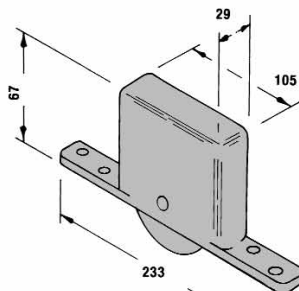
**8-362 RATTLEPROOF TOP GUIDE**



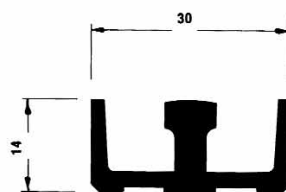
**SECTION THROUGH DOUBLE DOORS - SOFFIT FIXED**



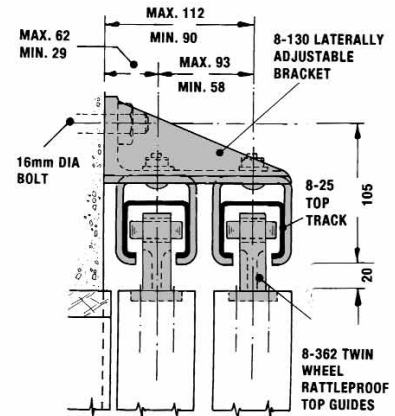
**ALTERNATIVE SECTION TIMBER CILL**



**72-402 BOTTOM ROLLER**



**72-3 BRASS BOTTOM TRACK SECTION**



**ALTERNATIVE HEAD SECTION DOUBLE TRACK**

# Straightaway 865 Bottom Rolling Door Gear

## FOR DOORS ON SINGLE AND DOUBLE PARALLEL TRACKS

### APPLICATION

Bottom rolling straight sliding doors for factories, warehouses, garages etc. Single or multiple runs of tracks.

### RANGE

Maximum door weight 250kg (550 lb)  
Maximum door height 3.5m (11ft)

Consider wind pressure in exposed positions, if in doubt consult gear makers. Timber door thickness 44mm only. Metal door thickness 50mm.

### DOOR CONSTRUCTION

Timber doors with deep bottom rails to accommodate bottom rollers. Fix rollers clear of stiles. Metal doors angle framed, sheeted inside or out. Ensure adequate bracing. Weatherhoods are recommended on external doors.

### FIXING

Track brackets usually side fixed. Floor track set flush or raised. Lateral adjustment with double side fixed brackets.

### BOTTOM ROLLERS, TIMBER DOORS

Roller bearings, machined cast grey iron wheels. 87-431.

### BOTTOM ROLLERS, METAL DOORS

Roller bearing, machined cast grey iron wheels, undrilled steel frame 87-430.

### BOTTOM TRACK

86-1 Steel. Lengths 1.8m to 3.0m.

### TOP GUIDES

8-315 for metal doors, 8-344 for timber doors.

### TOP TRACK

8-25 Safety pattern, galvanised steel to BS EN 10142. Lengths 1.8m to 3.0m.

### TOP TRACK BRACKETS

Malleable iron and steel. See drawing and full range details on pages 3-4.

### WEATHERHOODS

3-701 Galvanised steel to BS EN 10142. Length 2.4m. 3-703 end caps.

### FURNITURE

A range of door furniture and locking arrangements is available.

### DOOR STOPS

97-711 side fixing at mid-height of door.

### FINISHES

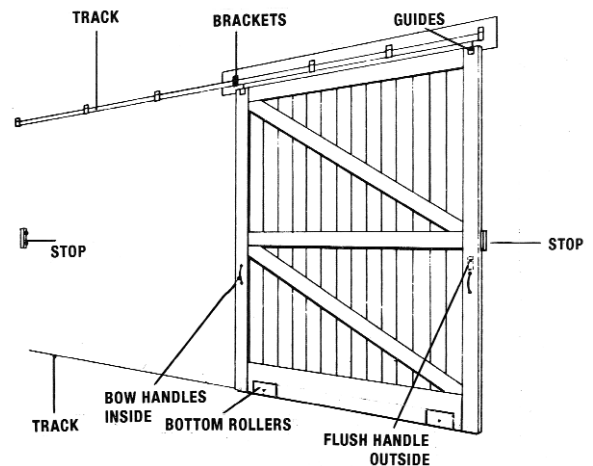
Top track galvanised; rollers, guides, brackets and furniture plated.

## EXAMPLE

QUANTITIES FOR A SINGLE TIMBER SLIDING DOOR  
2.2m wide x 2.7m high x 44mm thick, weight 210kg.

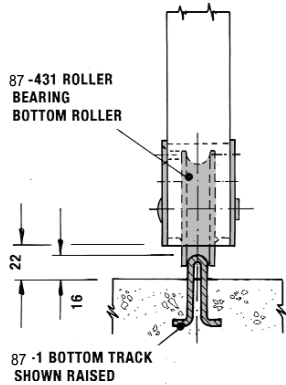
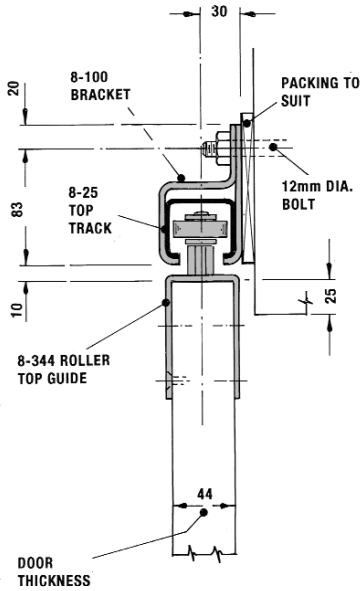
### A TYPICAL BILL OF QUANTITIES

ITEM				
A	8-25	Track, 1 x 2.4m, 1 x 2.1m	45	LIN.M
B	8-100	Brackets, open, side fixing	7	NO.
C	8-051	closed end pieces	2	NO.
D	8-002	Lock joint plate	1	NO.
E		Bolts for brackets (by others)	7	NO.
F	8-344	Top guides and screws	2	NO.
G	87-431	Bottom rollers and screws	2	NO.
H	87-1	Bottom track 1 x 2.4m, 1 x 2.1m	4.5	LIN.M
J	87-014	Connecting shoe	1	NO.
K	95-605	Bow handle and screws	2	NO.
L	95-617	Flush handle and screws	1	NO.
M	97-711	Door stops	2	NO.
N		Locking arrangements IF EXTERNAL DOOR		
O	3-701	Weatherhood 2 x 2.4m	4.8	LIN.M

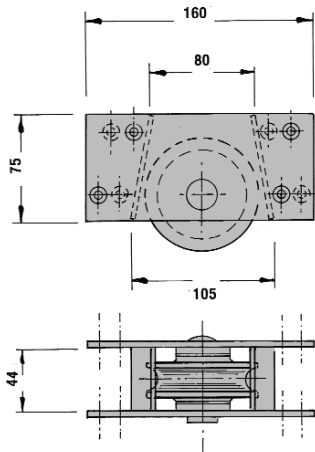




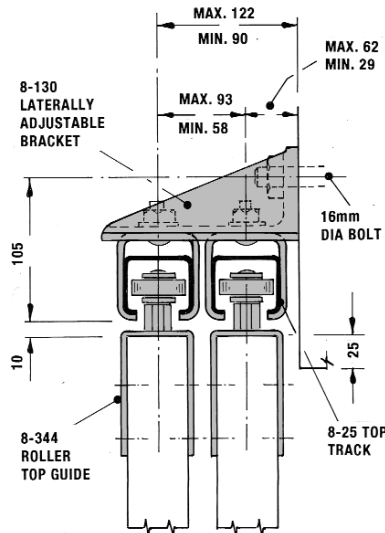
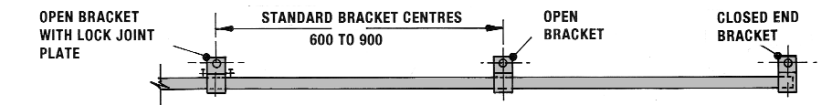
STANDARD TRACK LENGTHS			
1.8	2.1	2.4	3.0 METRES



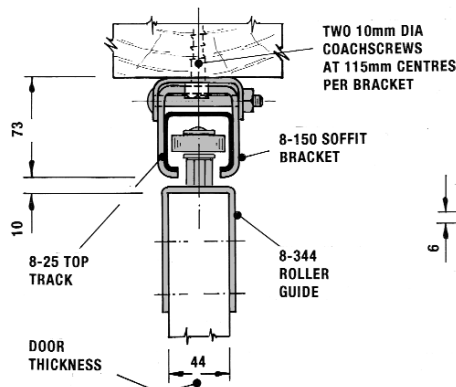
SECTION THROUGH TIMBER DOOR



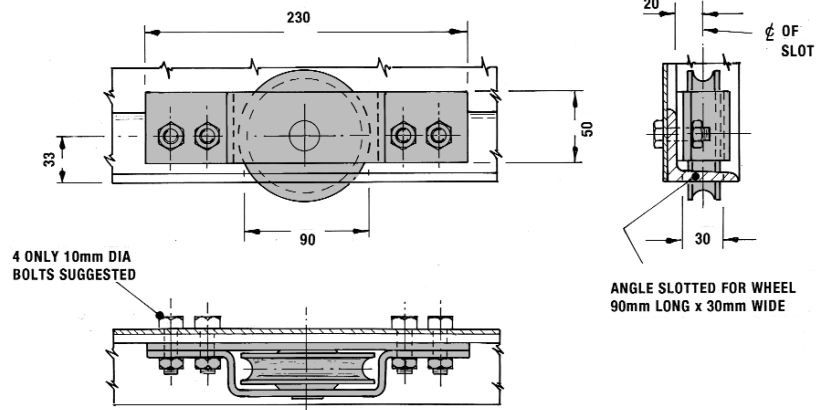
87-431 BOTTOM ROLLER FOR TIMBER DOORS



ALTERNATIVE HEAD SECTION DOUBLE PARALLEL TRACKS



ALTERNATIVE HEAD SECTION SOFFIT FIXING



87-430 BOTTOM ROLLER FOR METAL DOORS SUPPLIED UNDRILLED

# Straightaway 880 Bottom Rolling Door Gear

## FOR DOORS ON SINGLE AND DOUBLE PARALLEL TRACKS

### APPLICATION

Bottom rolling straight sliding doors for factories, warehouses, garages etc. Single or multiple runs of tracks.

### RANGE

Maximum door weight 500kg (1100lb)  
Maximum door height 4m (13ft)

Consider wind pressure in exposed positions, if in doubt consult gear makers. Timber door thickness 57mm only. Metal door thickness 50mm or 65mm.

### DOOR CONSTRUCTION

Timber doors with deep bottom rails to accommodate bottom rollers. Fix rollers clear of stiles. Metal doors angle framed, sheeted inside or out. Ensure adequate bracing. Weatherhoods are recommended on external doors.

### FIXING

Track brackets usually side fixed. Floor track set flush or raised. Lateral adjustment with double side fixed brackets.

### BOTTOM ROLLERS, TIMBER DOORS

Roller bearings, machined grey cast iron wheels. 89-442 for 51mm doors.

### BOTTOM ROLLERS, METAL DOORS

89-440 Roller bearing, machined grey cast iron wheels, undrilled steel frame.

### BOTTOM TRACK

89-1 Steel. Length 3.0m.

### TOP GUIDES

8-315 for metal doors, 8-357 for timber doors.

### TOP TRACK

8-25 Safety pattern, galvanised steel to BS EN 10142. Lengths 1.8m to 3.0m.

### TOP TRACK BRACKETS

Malleable iron and steel. See drawing and full range details on pages 3-4.

### WEATHERHOODS

3-701 Single track. Galvanised steel to BS EN 10142. Length 2.4m. 3-103 end caps.

### FURNITURE

A range of door furniture and locking arrangements is available.

### DOOR STOPS

97-711 side fixing at mid-height of door.

### FURNITURE

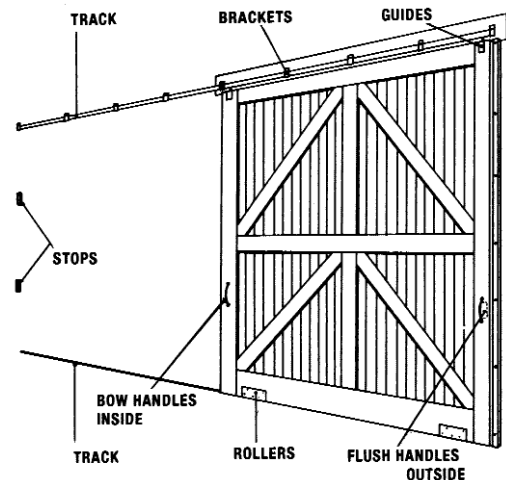
Top track galvanised; rollers, guides, brackets and furniture plated.

## EXAMPLE

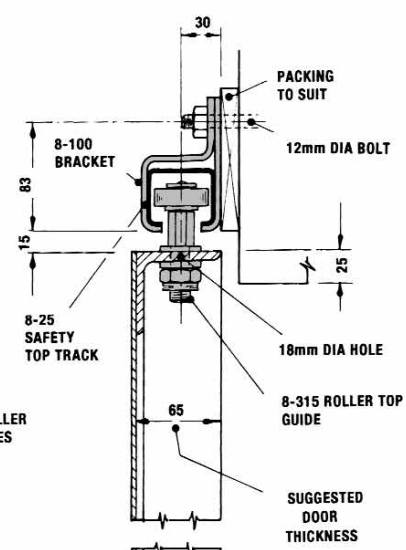
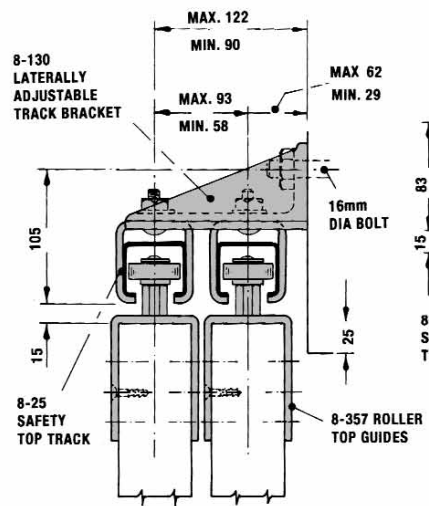
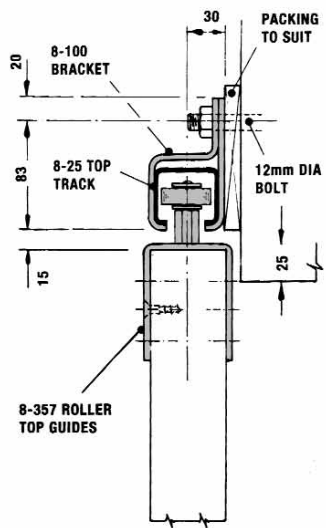
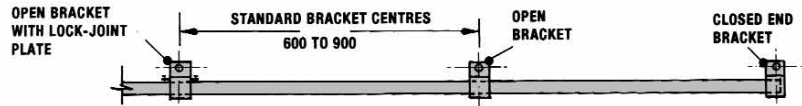
Quantities for a timber door 3m wide x 3.9m high x 57mm thick, weight 415kg.

### A TYPICAL BILL OF QUANTITIES

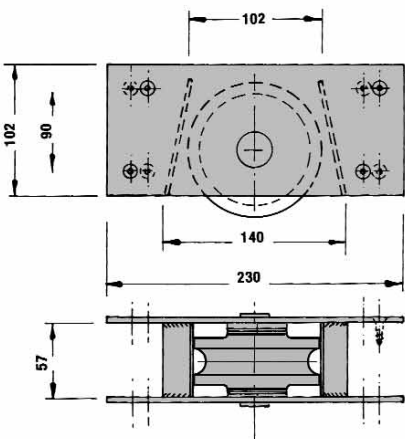
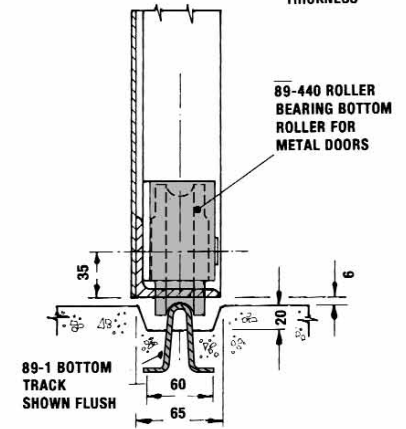
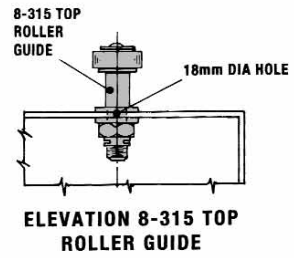
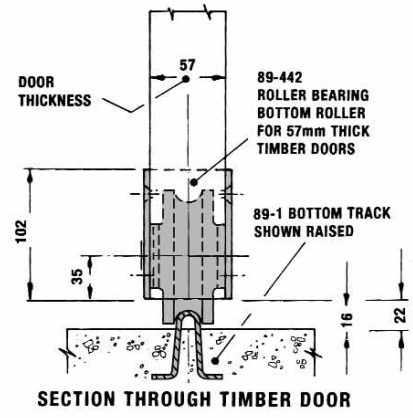
ITEM				
A	8-25	Track, 2 x 3.0w	6.0	LIN.M
B	8-100	Brackets, open, side fixing	9	NO.
C	8-051	Closed end pieces.	2	NO.
D	8-002	Lock-joint plate	1	NO.
E		Bolts for brackets (by others)	9	NO.
F	8-357	Top guides and screws	2	NO.
G	89-442	Bottom rollers and screws	2	NO.
H	89-1	Steel bottom track 2 x 3.0m	6.0	LIN.M
	89-014	Connecting Shoe	1	NO.
K	95-607	Bow handle and screws	2	NO.
L	95-618	Flush handle and screws	1	NO.
M	97-711	Door stops	2	NO.
		Locking arrangements IF EXTERNAL DOOR		
N	3-701	Weatherhood 3 x 2.4m	7.2	LIN.M



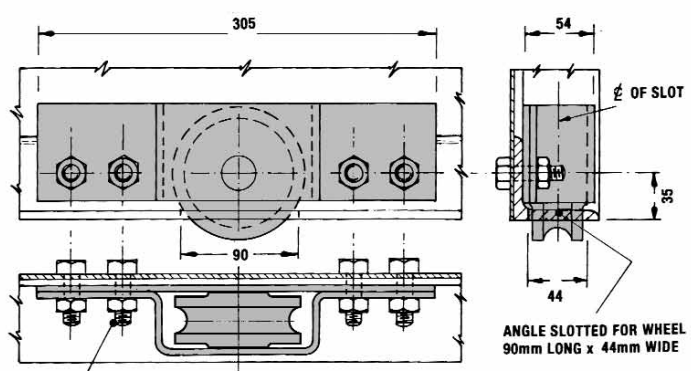
STANDARD TRACK LENGTHS			
1.8	2.1	2.4	3.0 METRES



**ALTERNATIVE HEAD SECTION DOUBLE PARALLEL TRACKS**



**89-442 BOTTOM ROLLER FOR 57mm THICK TIMBER DOORS**



**89-440 BOTTOM ROLLER FOR METAL DOORS SUPPLIED UNDRILLED**

# Straightaway 884 Bottom Rolling Door Gear

## FOR DOORS ON SINGLE AND DOUBLE PARALLEL TRACKS

### APPLICATION

Bottom rolling straight sliding doors for industrial, garage, warehouse or port installations etc. Single or multiple runs of track.

### RANGE

Maximum door weight 1000kg (2200 lb)  
Maximum door height 5m (16ft)

Consider wind pressure in exposed positions, if in doubt consult gear makers. Timber door thickness 57mm only. Metal door thickness 65mm minimum.

### DOOR CONSTRUCTION

Timber doors with deep bottom rails to accommodate bottom rollers. Fix rollers clear of stiles. Metal doors angle framed, sheeted inside or out. Ensure adequate bracing. Weatherhoods are recommended on external doors.

### FIXING

Track brackets usually side fixed. Floor track set flush or raised. Lateral adjustment with double side fixed brackets. Special consideration must be given to stopping of heavy doors.

### BOTTOM ROLLERS, TIMBER DOORS

Ball bearing, machined grey cast iron wheels. 89-462 for 57mm doors.

### BOTTOM ROLLERS, METAL DOORS

89-460 Ball bearing, machined grey cast iron wheels, undrilled steel frame.

### BOTTOM TRACK

89-1 Steel. Length 3.0m.

### TOP GUIDES

10-352 for timber doors, 10-315 for metal doors.

### TOP TRACK

10-30 Safety pattern, galvanised steel to BS EN 10142. Lengths 1.8m to 3.0m.

### TOP TRACK BRACKETS

Malleable iron and steel. See drawing and full range details on pages 3-4.

### FURNITURE

A range of door furniture and locking arrangements is available.

### DOOR STOPS

Heavy duty.

### FINISHES

Top track galvanised; rollers, guides and furniture plated.

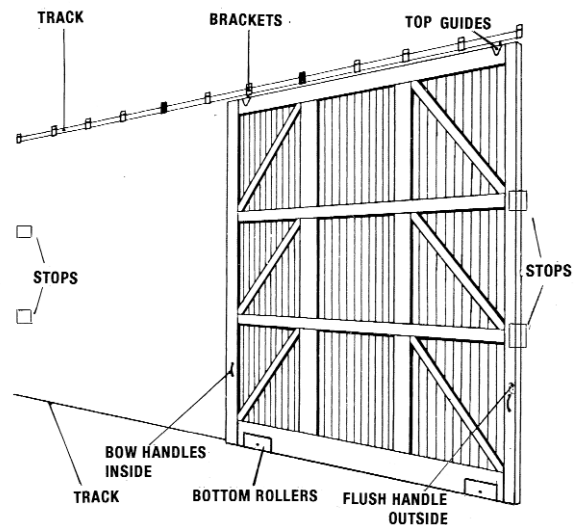
## EXAMPLE

### QUANTITIES FOR A TIMBER SLIDING DOOR

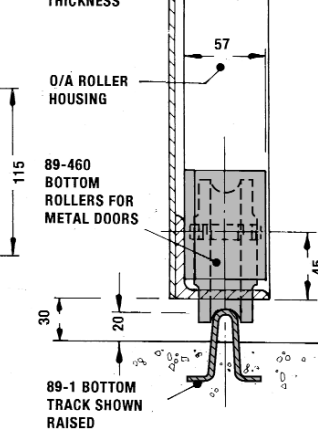
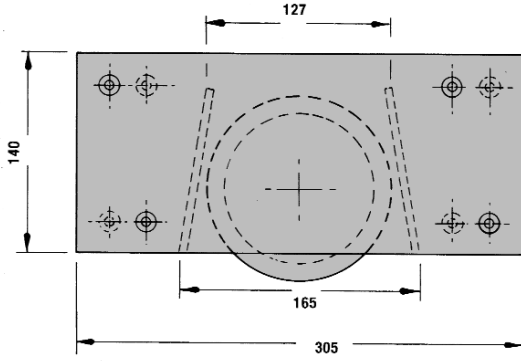
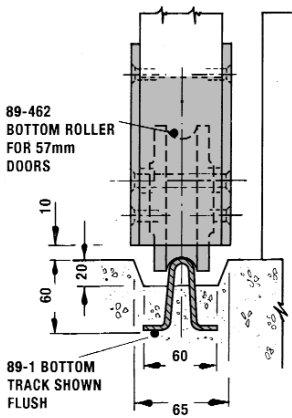
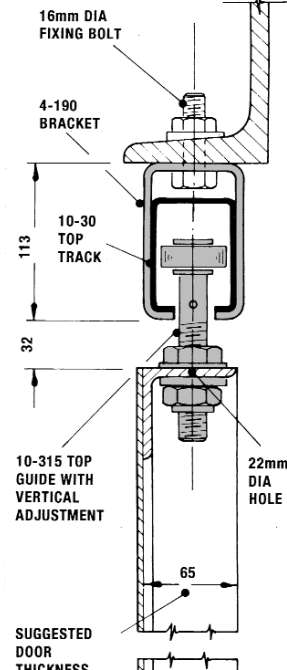
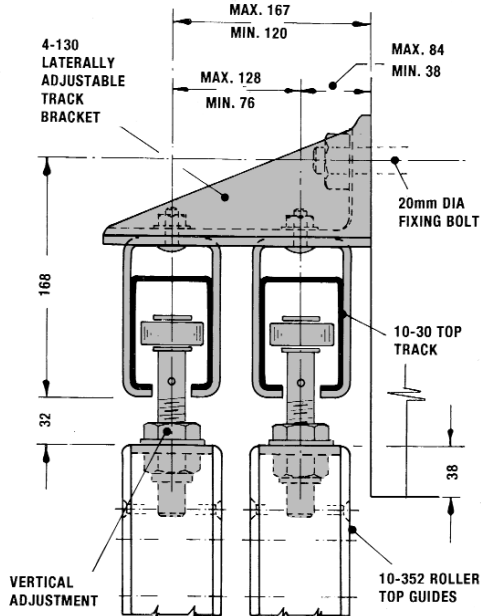
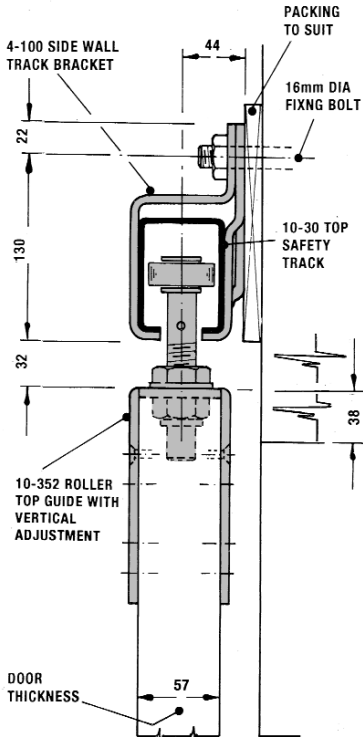
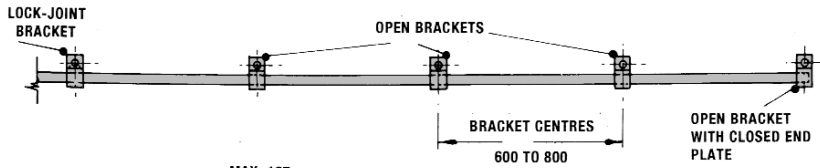
3.9m wide x 4.5m high x 57mm thick, weight 850kg.

#### A TYPICAL BILL OF QUANTITIES

ITEM				
A	10-30	Track, 2 x 3.0m, 1 x 1.8m	7.8	LIN.M
B	4-100	Brackets, open, side fixing	10	NO.
C	4-051	Closed end pieces	2	NO.
D	4-102	Brackets, lock-joint, side fixing	2	NO.
E		Bolts for brackets (by others)	12	NO.
F	10-352	Top roller guides and bolts	2	NO.
G	89-462	Bottom rollers and screws	2	NO.
H	89-1	Steel bottom track 3 x 3.0m	9	LIN.M
J	89-014	Connecting shoe	2	NO.
K	95-607	Bow handles and screws	2	NO.
L	95-618	Flush handles and screws	1	NO.
M	97-712	Door stop	4	NO.
N		Locking arrangements		

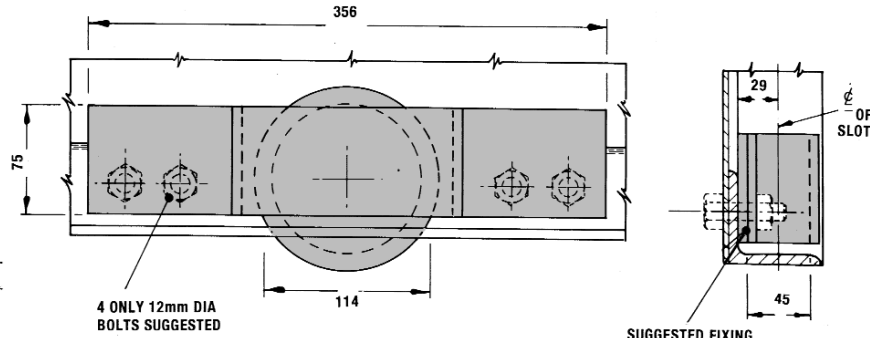
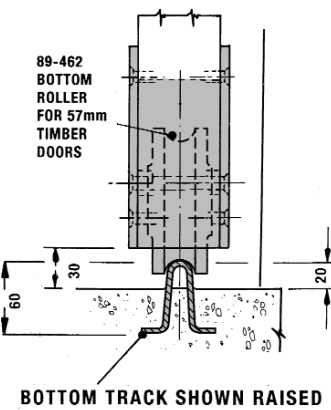


STANDARD TRACK LENGTHS			
1.8	2.1	2.4	3.0 METRES



SECTION THROUGH TIMBER DOOR

SECTION THROUGH METAL DOOR



89-460 BOTTOM ROLLER FOR METAL DOORS SUPPLIED UNDRILLED

SUGGESTED FIXING (WHEEL OMITTED FOR CLARITY)

NOTES:

NOTES:

Hillaldam Coburn has a history of commitment to quality and technical developments. Products are always manufactured to the appropriate British Standards and the company was one of the first in the industry to have operating procedures approved under BS EN ISO 9001.

Constant testing ensures that quality is maintained and a programme of product improvement is regularly reviewed and updated.

The following range of literature is available on request:

### SLIDING DOOR GEAR

- Centafold & Foldaside
- Foldaside & Cornaway
- Glassmaster 80
- Coburn Kabinette
- HIDEAWAY™ Pocket Door Kit
- HIDEAWAY™ Protek
- Interior Sliding Systems
- Straightaway Door Gear
- The Buyers Guide

### OTHER COBURN PRODUCTS

- Folding Fabric Partitions
- Dictator Range of products
- Rediframe Steel Door Frames
- Movable Wall & Partitions

Hillaldam Coburn Limited also offers an extensive range of Acoustic products for walls and floors through its subsidiary, Trim Acoustics. Comprehensive literature is available on request.

*The company reserves the right from time to time to make such alteration in design and manufacture as it considers necessary without notice. Drawings, specifications, illustrations, tables and other details are not binding in detail. Conditions of sale are as those published on the Company's tender forms.*



Certificate No. 14679

The products designed and supplied by Hillaldam Coburn Ltd are covered by a Quality Assurance system in accordance with BS EN ISO 9001:2008

### HILLALDAM COBURN LIMITED

LONDON SW19 3HX, ENGLAND  
UNIT 16, MERTON INDUSTRIAL PARK, LEE ROAD

Telephone: +44 (0) 20 8545 6680  
Facsimile: +44 (0) 20 8545 6720  
Email: [sales@hillaldam.co.uk](mailto:sales@hillaldam.co.uk)  
[www.coburn.co.uk](http://www.coburn.co.uk)



HillaldamCoburn



@salescoburn