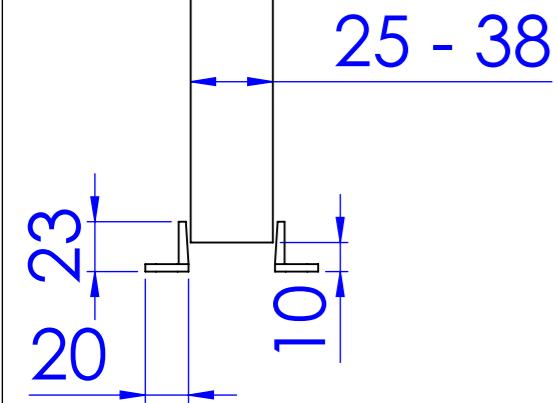


DETAIL D
SCALE 1 : 3



<p>COBURN SLIDING SYSTEMS LIMITED Unit 1, Cardinal way, Cardinal west, Godmanchester, PE29 2XN, UK</p> <p>TEL: +44 (0)20 8545 6680 FAX: +44 (0)20 8545 6720 E-Mail: sales@coburn.co.uk Web: www.coburn.co.uk</p> <p>© COPYRIGHT COBURN SLIDING SYSTEMS LIMITED</p> <p><small>THE INFORMATION CONTAINED IN THIS DRAWING IS THE SOLE PROPERTY OF <COBURN SLIDING SYSTEMS LIMITED>. ANY REPRODUCTION IN PART OR AS A WHOLE WITHOUT THE WRITTEN PERMISSION OF <COBURN SLIDING SYSTEMS LIMITED> IS PROHIBITED.</small></p>	<p>MATERIAL</p> <p>Carbon Steel</p>	<p>UNLESS OTHERWISE SPECIFIED:</p> <p>DIMENSION(mm) TOLERANCE ZERO PL DECIMAL ±0.2 ONE PL DECIMAL ±0.1 TWO PL DECIMAL ±0.05</p> <p>ANGULAR TOLERANCE ±0.5°</p> <p>FORGING TOLERANCE SEE BS 4114</p> <p>ALL EDGES WILL BE ROUNDED WITH 0.2mm</p> <p>COMMENTS: IF IN DOUBT ASK!</p>	<p>DRAWN S.B</p> <p>CHECKED M.S</p>	<p>DATE 06/03/2020</p> <p>DATE 06/03/2020</p>	<p>FILE DRG. No.</p>
	<p>FINISH</p> <p>Black Powder Coating</p>	<p>DIMENSIONS ARE IN mm DO NOT SCALE DRAWING</p>	<p>TITLE: Flat Track Mini Arrowhead Hanger 2.0m Kit</p>	<p>SIZE A4</p>	<p>DRG/PART. No. 41154</p>
			<p>SCALE: 2:1</p>	<p>WEIGHT:</p>	<p>SHEET: 1/1</p>